



T&S BRASS AND BRONZE WORKS, INC.
 2 SADDLEBACK COVE / P.O. BOX 1088 / TRAVELERS REST, SC 29690
 PHONE 800-476-4103 FAX 864-834-3518



Model No.

B-2158

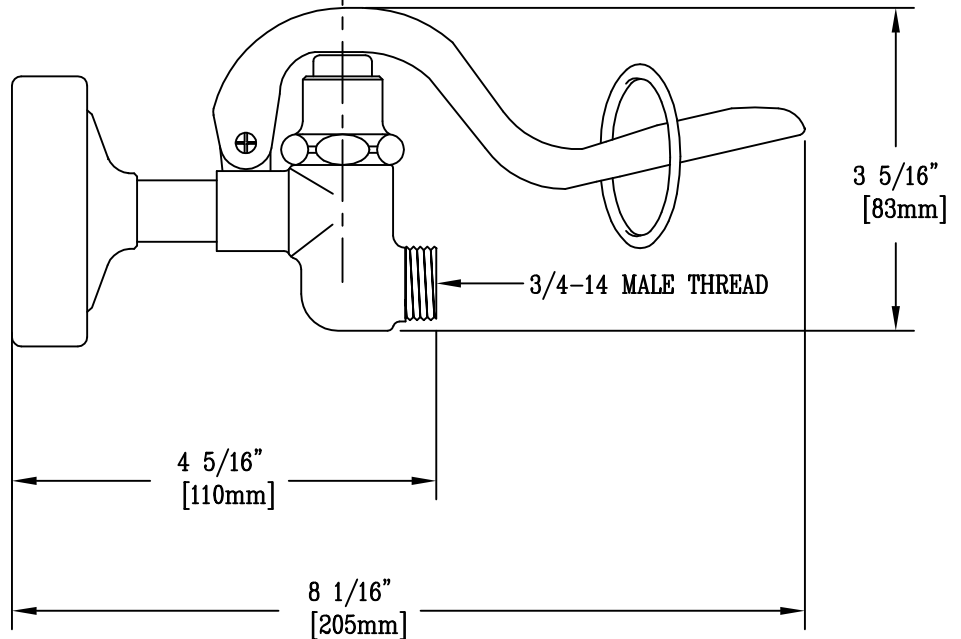
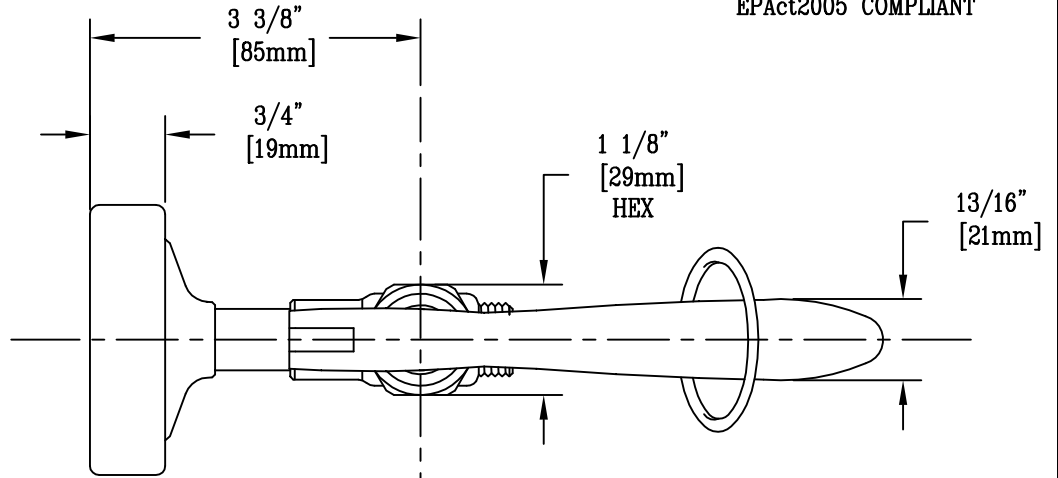
Item No.:

Job Name:

Architect/Engineer Approval:

Notes:

EPA Act 2005 COMPLIANT



Product Description:
 SPRAY VALVE ASSEMBLY WITH
 HOLD DOWN RING & RUBBER BUMPER

Drawn:

RJK

Approved

JHB

Checked

JRM

Scale:

6" = 1'

Date:

01-04-06