



T&S BRASS AND BRONZE WORKS, INC.
 2 SADDLEBACK COVE / P.O. BOX 1088 / TRAVELERS REST, SC 29690
 PHONE 800-476-4103 FAX 864-834-3518



Model No.

B-2263

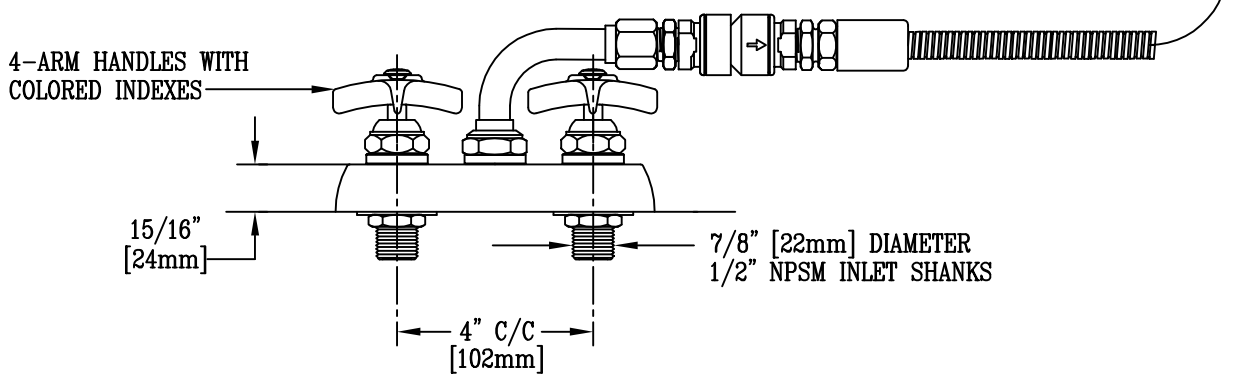
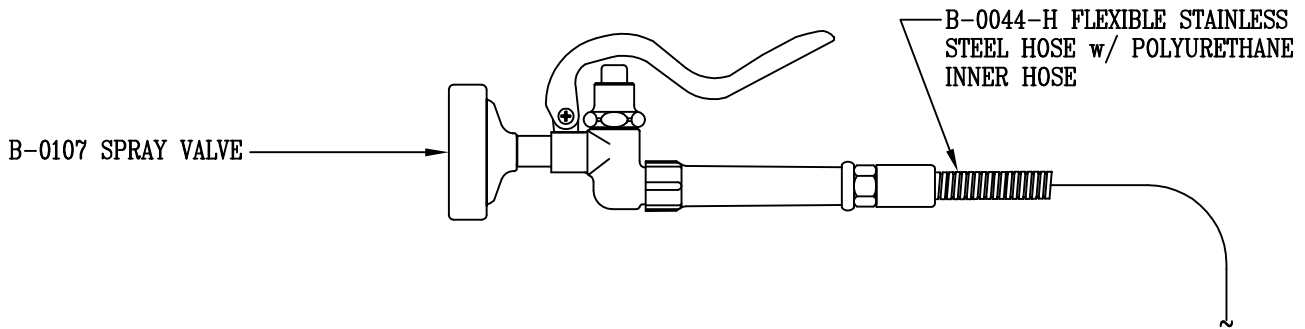
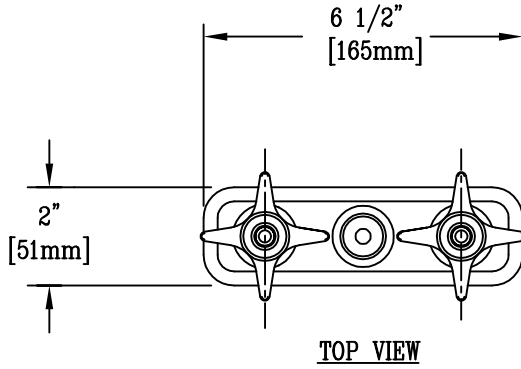
Item No.:

Job Name:

Architect/Engineer Approval:

Notes:

EPAct2005 COMPLIANT



Product Description: 4" c/c WORKBOARD FAUCET WITH 1/2" NPT MALE INLETS, 4-ARM HANDLES, SWIVEL ELBOW, B-0044-H STAINLESS STEEL HOSE w/ VACUUM BREAKER, AND B-0107 SPRAY VALVE	Drawn: WJS	Checked: JHB	Scale: 1 : 4
	Approved: JHB		Date: 7/28/06