

T&S BRASS AND BRONZE WORKS, INC.

2 SADDLEBACK COVE / P.O. BOX 1088 / TRAVELERS REST, SC 29690

PHONE 800-476-4103

FAX 864-834-3518



Model No.

B-2277-01

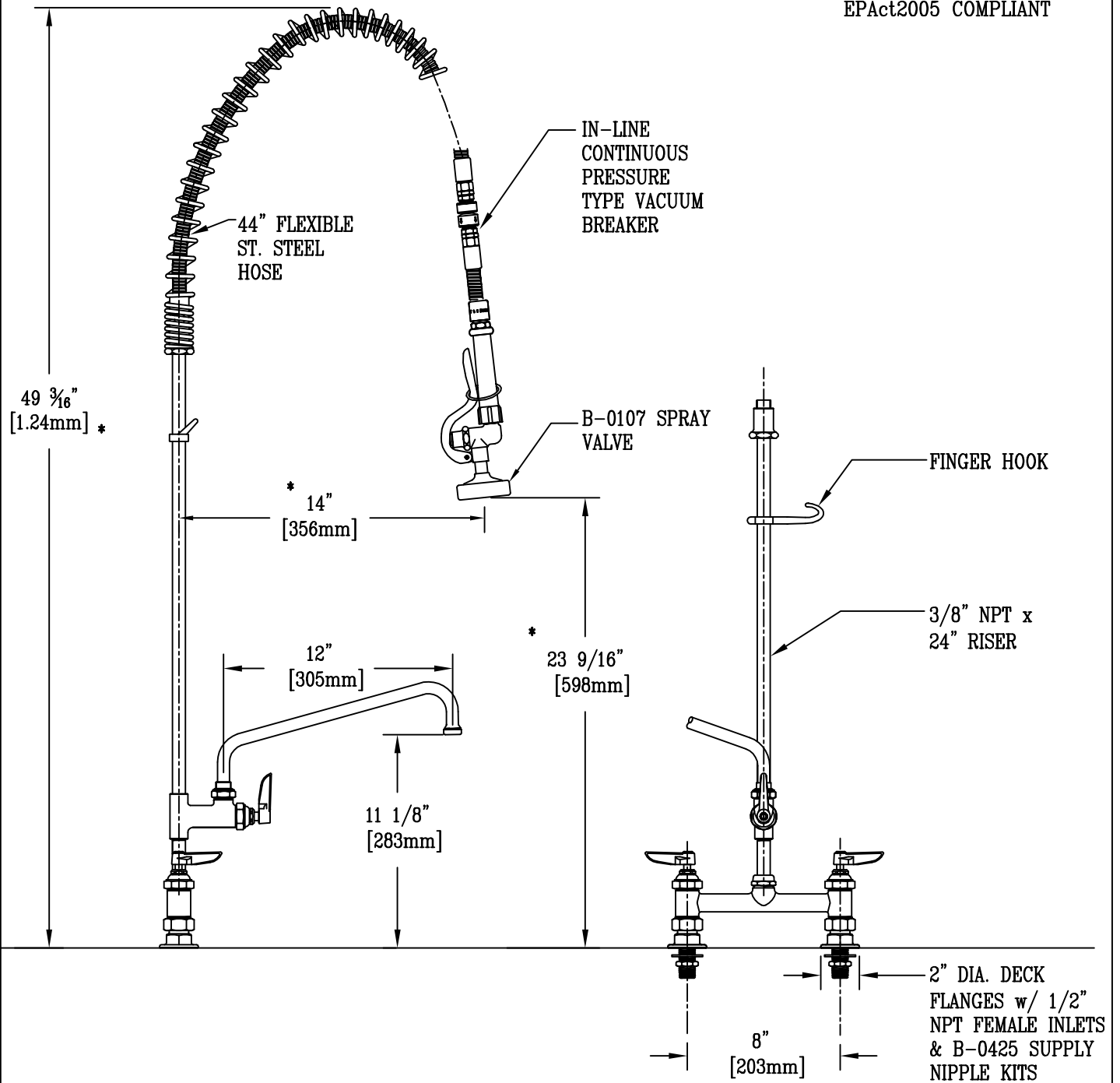
Item No.:

Job Name:

Architect/Engineer Approval:

Notes:

EPAAct2005 COMPLIANT



* DIMENSIONS MAY VARY ± 1/2" ON EACH INSTALLATION

Product Description:
 8" c/c DECK MOUNT PRE-RINSE UNIT w/ 1/2" NPT FEMALE INLETS, 44" FLEXIBLE ST. STEEL HOSE, VACUUM BREAKER, ADD-ON-FCT, 12" SWING NOZZLE, & SPRAY VALVE

Drawn:

WJS

Checked:

JRM

Scale:

1:8

Approved

JHB

Date:

12/05/06