



T&S BRASS AND BRONZE WORKS, INC.

2 SADDLEBACK COVE / P.O. BOX 1088 / TRAVELERS REST, SC 29690

PHONE 800-476-4103

FAX 864-834-3518



REG. #A2601
ISO #9002

Model No.

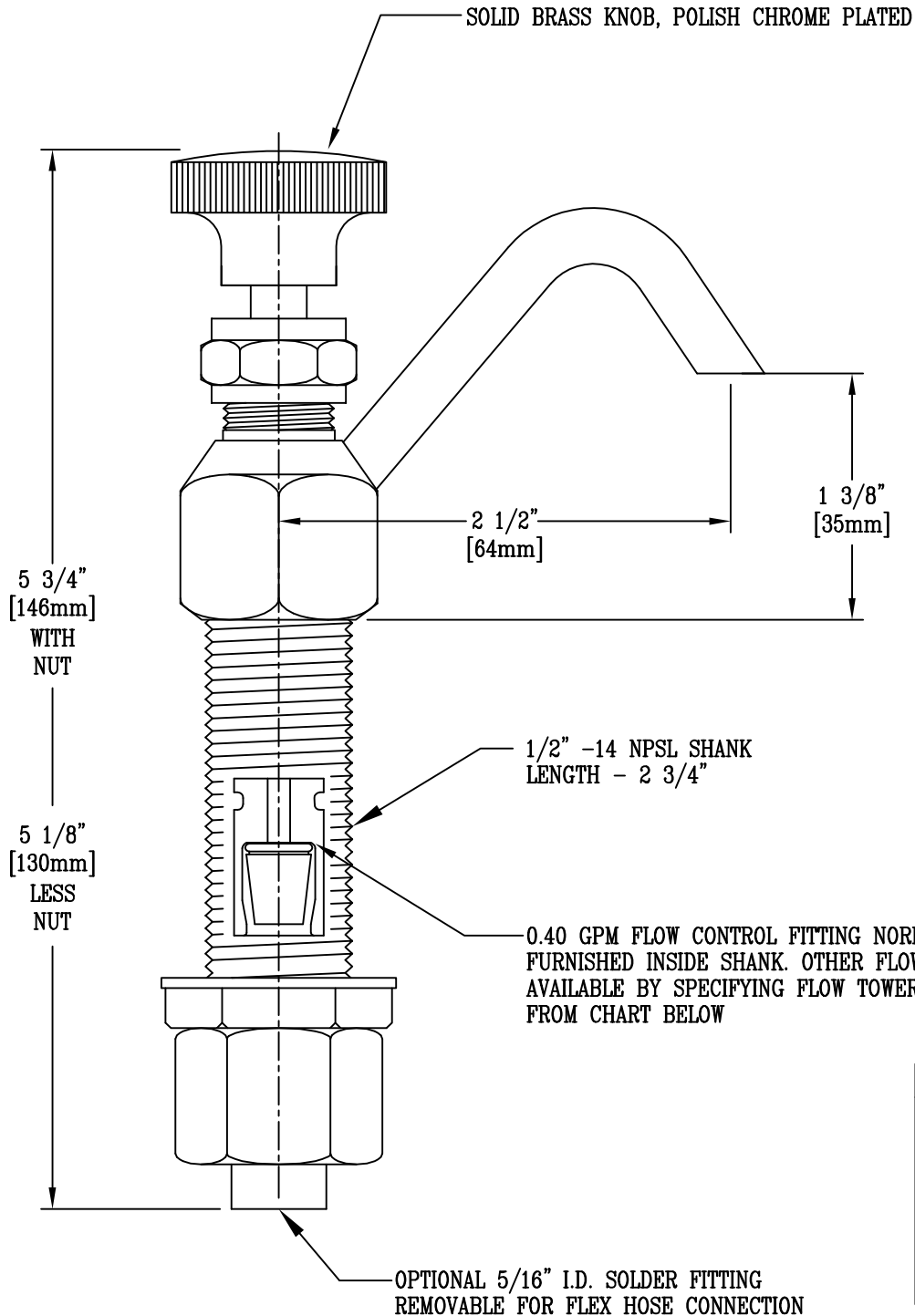
B-2282-F

Item No.:

Job Name:

Architect/Engineer Approval:

Notes:



FLOW	SUFFIX
0.40	F-05
0.70	F-07
0.90	F-10
1.20	F-12
1.40	F-15
2.00	F-20
2.50	F-25

Product Description:

FLOW CONTROL DIPPERWELL FAUCET

Drawn:

WJS

Approved

MVW

Checked

JKD

Scale:

1 : 1

Date:

12-30-04