



**T&S BRASS AND BRONZE WORKS, INC.**

2 SADDLEBACK COVE / P.O. BOX 1088 / TRAVELERS REST, SC 29690

PHONE 800-476-4103

FAX 803-834-3518



REG.#A2601  
ISO #9002

Model No.

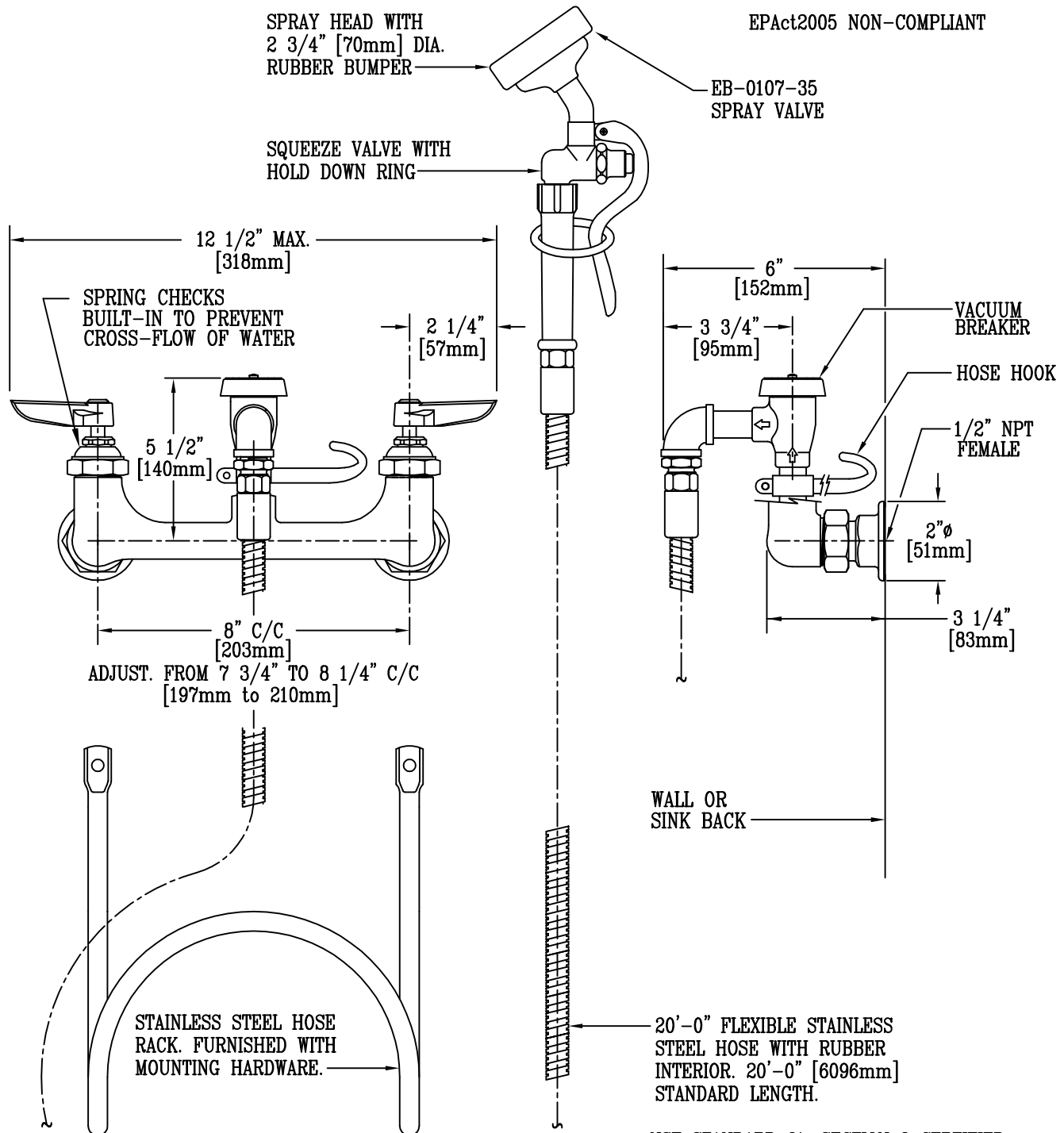
B-2311

Item No.:

Job Name:

Architect/Engineer Approval:

Notes:



NSF STANDARD 61, SECTION 9 CERTIFIED.

Product Description:

POT FILLER WITH STAINLESS STEEL HOSE, MIXING FAUCET WITH LEVER HANDLES, VACUUM BREAKER, & ANGLE SPRAY VALVE

Drawn:

RJK

Checked

JRM

Scale:

1:4

Approved

JHB

Date:

1-4-06