



# T&S BRASS AND BRONZE WORKS, INC.

2 Saddleback Cove / P.O. Box 1088  
Travelers Rest, SC 29690



REG. #A2601  
ISO #9001

Model No.  
**B-2320**

Item No.

Travelers Rest, SC: 800-476-4103 Simi Valley, CA: 800-423-0150 Fax: 864-834-3518 www.tsbrass.com

This Space for Architect/Engineer Approval

Job Name \_\_\_\_\_ Date \_\_\_\_\_

Model Specified \_\_\_\_\_ Quantity \_\_\_\_\_

Customer/Wholesaler \_\_\_\_\_

Contractor \_\_\_\_\_

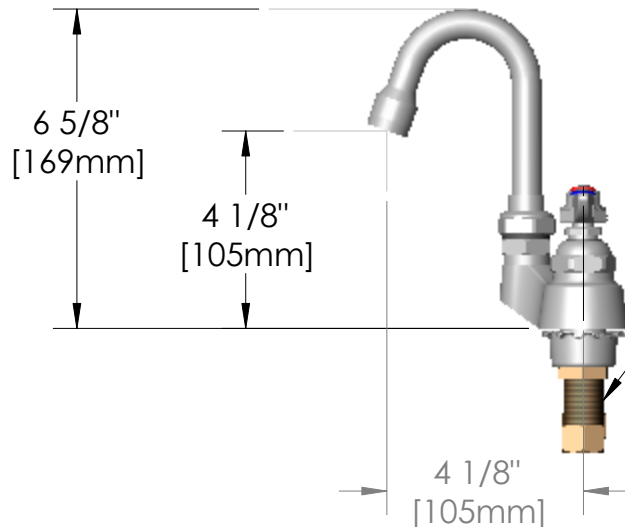
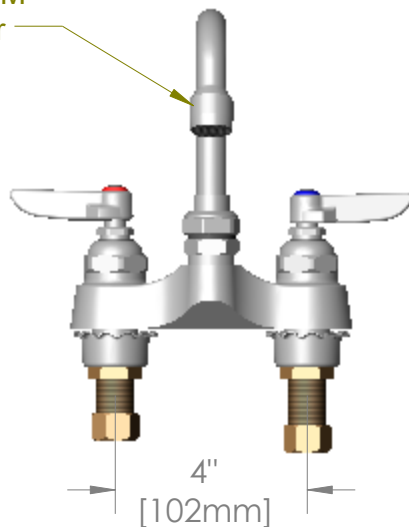
Architect/Engineer \_\_\_\_\_



### Variations or Applicable Options:

- WH6 6" Wrist Action Handles
- WH4 4" Wrist Action Handles
- 175F 4-Arm Kitchen Handles
- B-0199-21 2.2 GPM Laminar Flow Outlet

Swivel GN w/  
2.2 GPM  
Aerator



1/2" NPSM  
Male Shanks

### Product Specifications:

4" Centerset Mixing Faucet w/ 1/2" NPSM Male Shanks, Eterna Cartridges, Lever Handles, Rigid to Swivel Adapter, Swivel Gooseneck, 2.2 GPM Aerator

Drawn  
WJS

Checked  
GEF

Approved  
JHB

Scale:

1:4

Date:

09/18/06



# T&S BRASS AND BRONZE WORKS, INC.

2 Saddleback Cove / P.O. Box 1088  
Travelers Rest, SC 29690



REG. #A2601  
ISO #9001

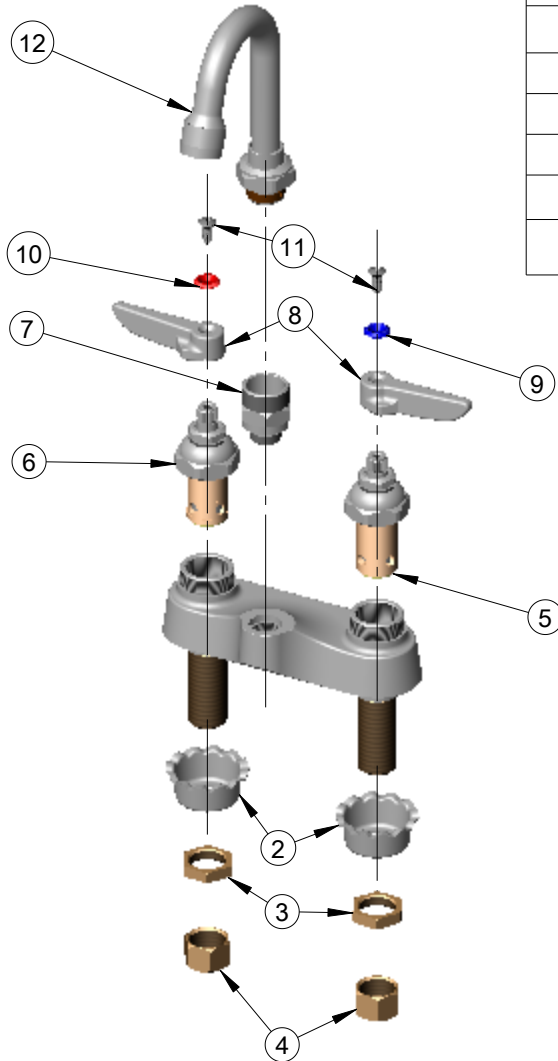
Model No.

**B-2320**

Item No.

Travelers Rest, SC: 800-476-4103 Simi Valley, CA: 800-423-0150 Fax: 864-834-3518 www.tsbrass.com

ITEM	PART NO.	DESCRIPTION
2	001000-45	Rosette Washer
3	002954-45	Shank Lock Nut
4	000958-20	Coupling Nut
5	006009-40	Cold Spindle Asm
6	006010-40	Hot Spindle Asm
7	B-0412	Rigid to Swivel Adapter
8	177F	Lever Handle
9	001660-45	Blue Index-CW
10	001661-45	Red Index-HW
11	000922-45	Lever Handle Screw
12	008978-40	Swivel GN Asm



Product Specifications:

4" Centerset Mixing Faucet w/ 1/2" NPSM Male Shanks,  
Eterna Cartridges, Lever Handles, Rigid to Swivel Adapter,  
Swivel Gooseneck, 2.2 GPM Aerator

Drawn WJS	Checked GEF	Approved JHB
Scale: 1:4		Date: 09/18/06