



T&S BRASS AND BRONZE WORKS, INC.

2 SADDLEBACK COVE / P.O. BOX 1088 / TRAVELERS REST, SC 29690

PHONE 800-476-4103

FAX 864-834-3518



REG.#A2601
ISO #9002

Model No.

B-2345

Item No.:

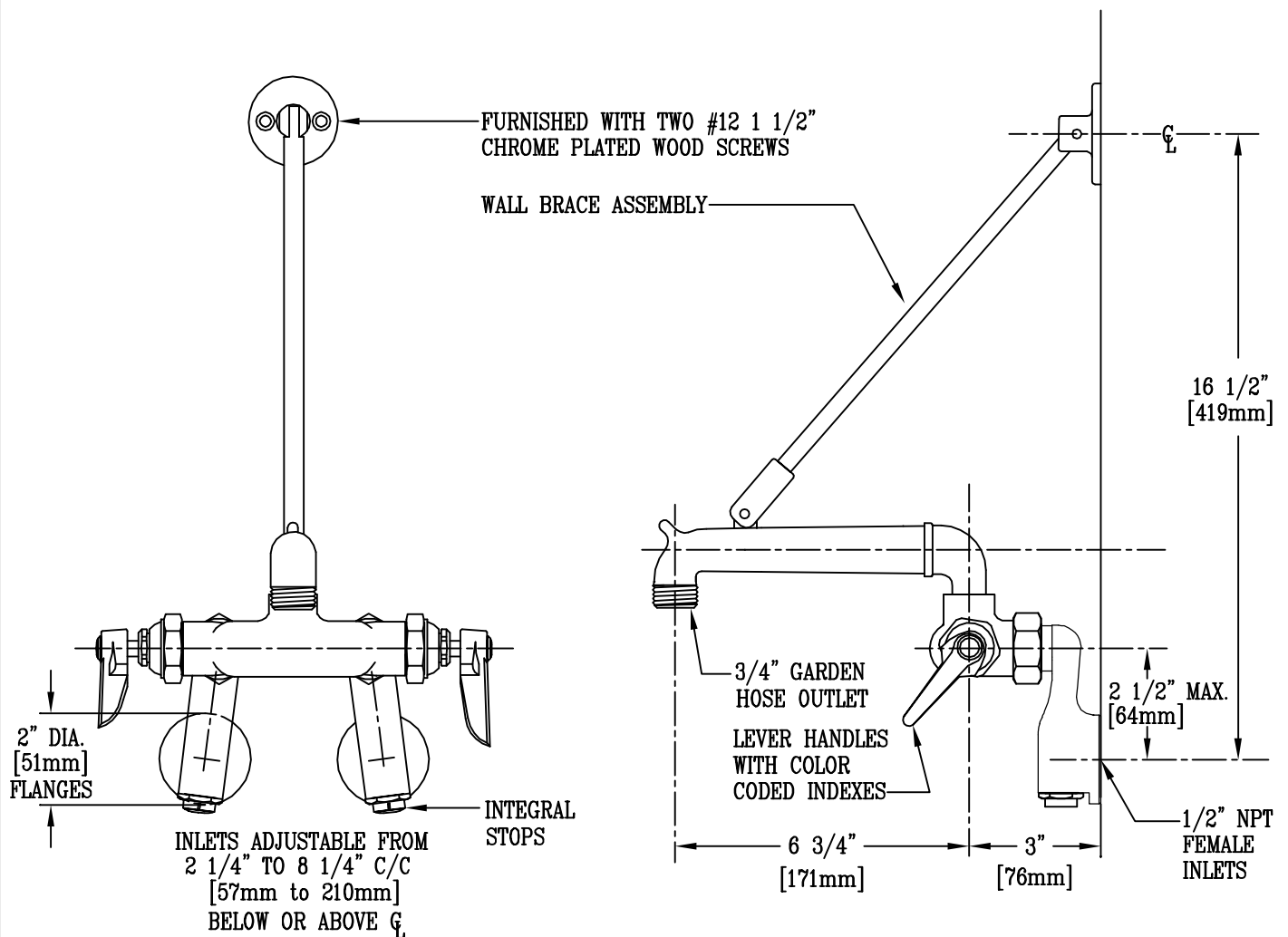
Job Name:

Architect/Engineer Approval:

Notes:



ADA COMPLIANT



Product Description:

SERVICE SINK FAUCET WITH POLISHED CHROME, FINISH, INTEGRAL STOPS, WALL BRACE, ADJUSTABLE INLETS, & 3/4" GARDEN HOSE OUTLET

Drawn:

LEL

Approved

MVW

Checked

JKD

Scale:

1 : 4

Date:

9/11/02