



T&S BRASS AND BRONZE WORKS, INC.
 2 SADDLEBACK COVE / P.O. BOX 1088 / TRAVELERS REST, SC 29690
 PHONE 800-476-4103 - FAX 864- 834-3518



Model No.

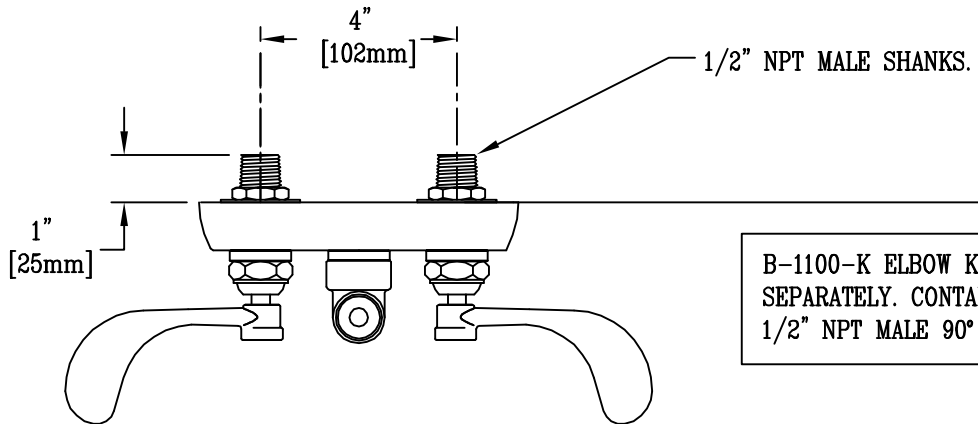
B-2393

**RELIABILITY
 BUILT IN**

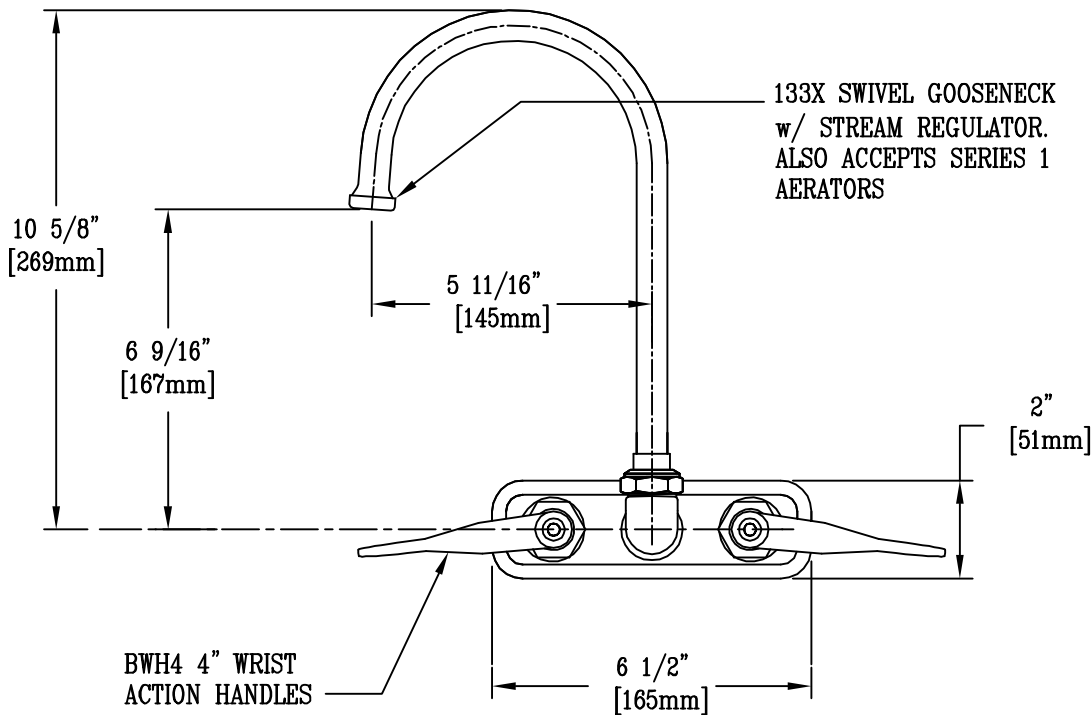
Job Name:

Architect/Engineer Approval:

Notes:



B-1100-K ELBOW KIT SOLD SEPARATELY. CONTAINS (2) 1/2" NPT MALE 90° ELBOWS



Product Description:
 WALL MOUNT WORKBOARD FAUCET WITH 1/2" NPT MALE SHANKS, 4" INLET CENTERS, 133X SWIVEL GOOSENECK, BWH4 WRIST ACTION HANDLES

Drawn:

WJS

Checked

JKD

Scale:

1 : 4

Approved

MVW

Date:

10-4-01