



T&S BRASS AND BRONZE WORKS, INC.
 2 SADDLEBACK COVE / P.O. BOX 1088 / TRAVELERS REST, SC 29690
 PHONE 800-476-4103 - FAX 864- 834-3518



Model No.

B-2469

**RELIABILITY
 BUILT IN**

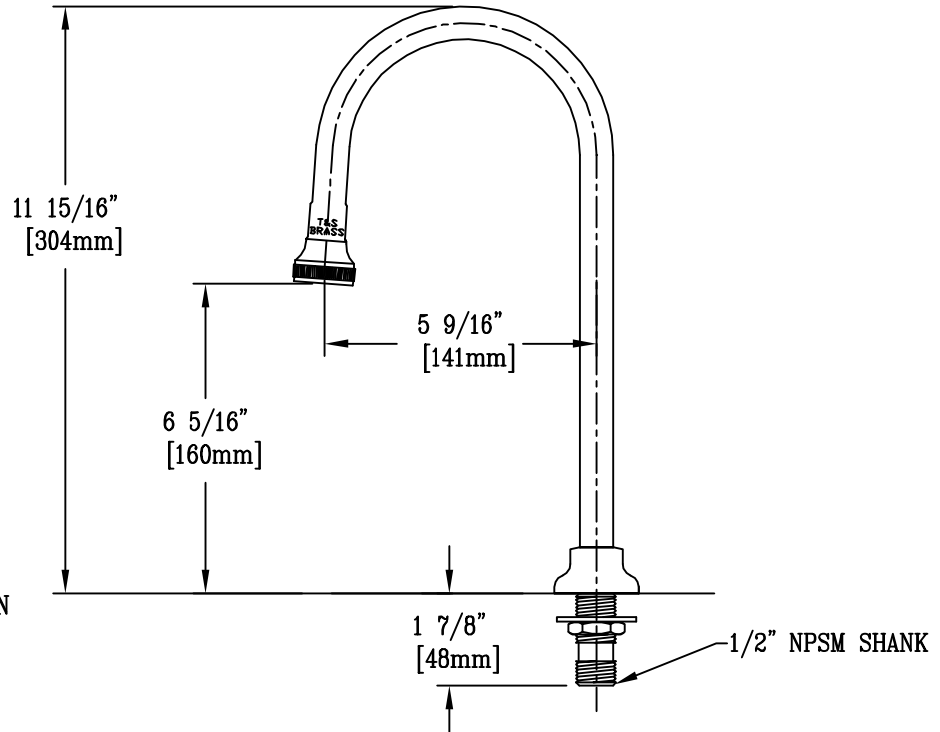
Job Name:

Architect/Engineer Approval:

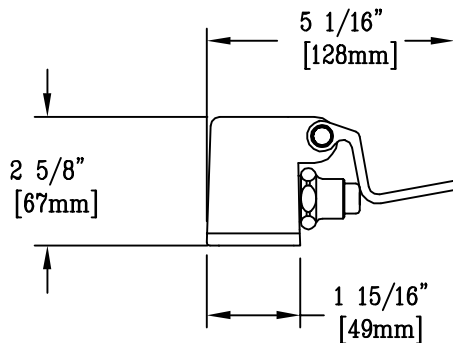
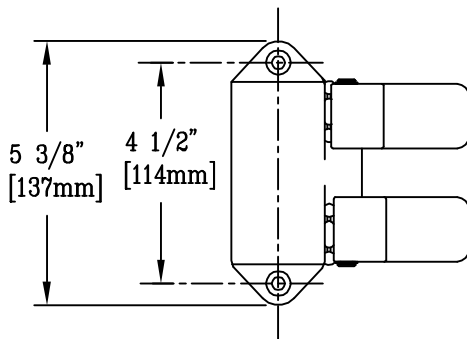
Notes:



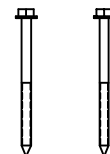
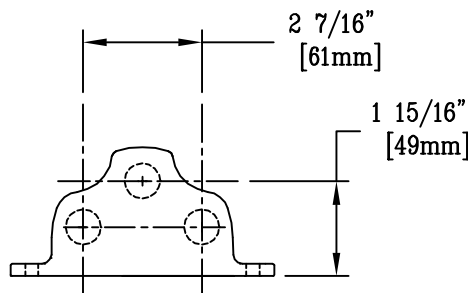
150A TAILPIECE
 AND NUT FURNISHED
 FOR OPTIONAL
 1/4" NPT CONNECTION



DUMMY RIGID GOOSENECK
 w/ ROSESPRAY



B-0502 DOUBLE PEDAL VALVE



FURNISHED w/ (2) "TAPCON"
 FASTENING SCREWS

Product Description:

B-0502 DOUBLE PEDAL VALVE w/ B-0520
 RIGID DUMMY GOOSENECK & ROSESPRAY

Drawn:

PRJ

Approved

MVW

Checked

WJS

Scale:

1 : 4

Date:

05/23/02