



T&S BRASS AND BRONZE WORKS, INC.
 2 SADDLEBACK COVE / P.O. BOX 1088 / TRAVELERS REST, SC 29690
 PHONE 800-476-4103 FAX 864-834-3518



Model No.

B-2484

Item No.:

REG.#A2601
ISO #9001

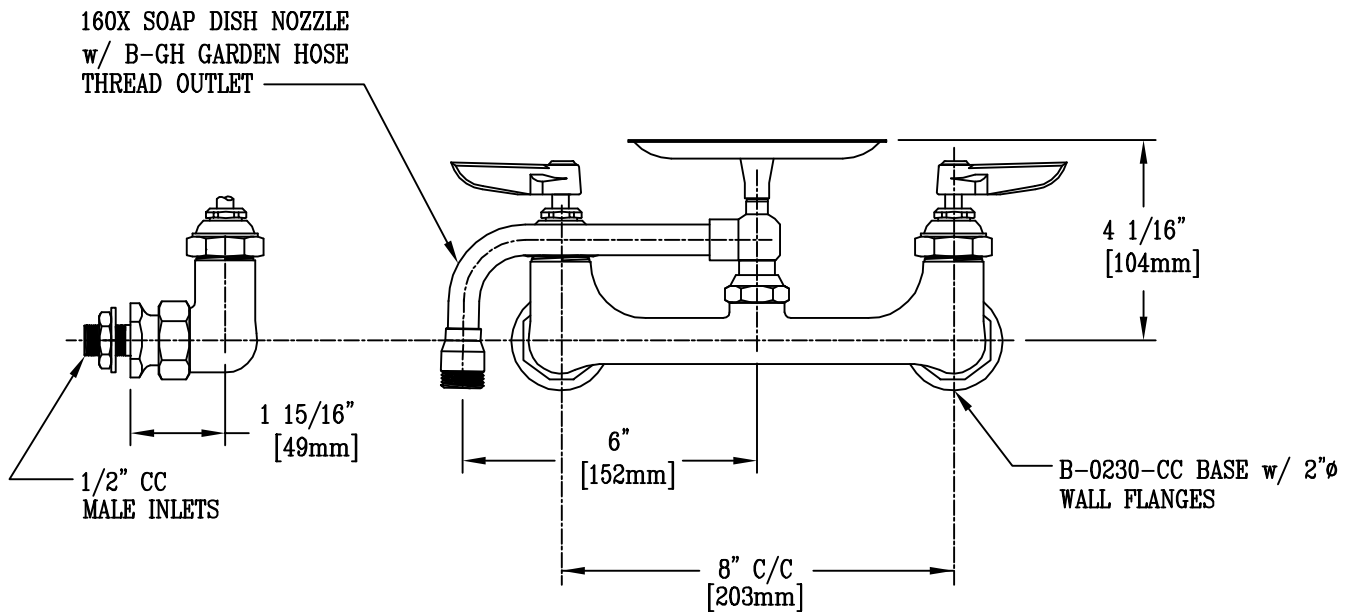
Job Name:

Architect/Engineer Approval:

Notes:



ADA COMPLIANT



Product Description:

8" c/c WALL MOUNT BASE FCT. w/ 1/2" NPT FEMALE
INLET THREADS & 6" SOAP DISH SWING NOZZLE

Drawn:

WJS

Checked

JKD

Scale:

1 : 4

Approved

MVW

Date:

08/31/00