



T&S BRASS AND BRONZE WORKS, INC.

2 SADDLEBACK COVE / P.O. BOX 1088 / TRAVELERS REST, SC 29690

PHONE 800-476-4103

FAX 864-834-3518



REG. #A2601
ISO #9002

Model No.

B-2485

Item No.:

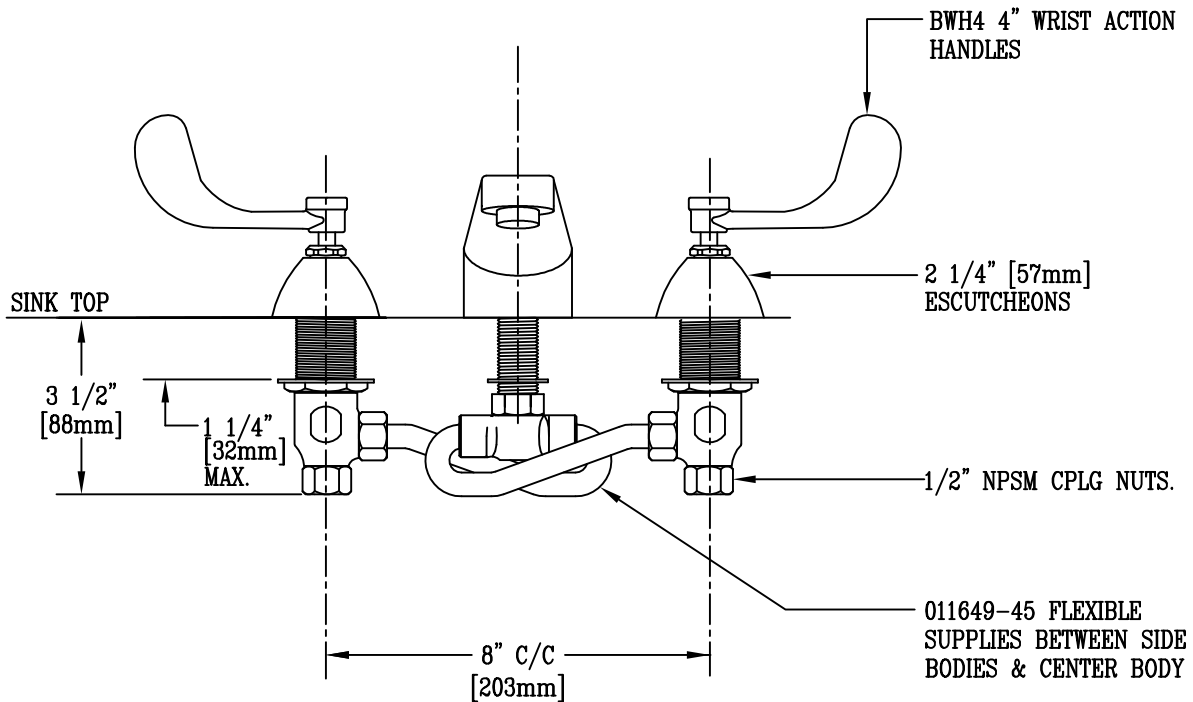
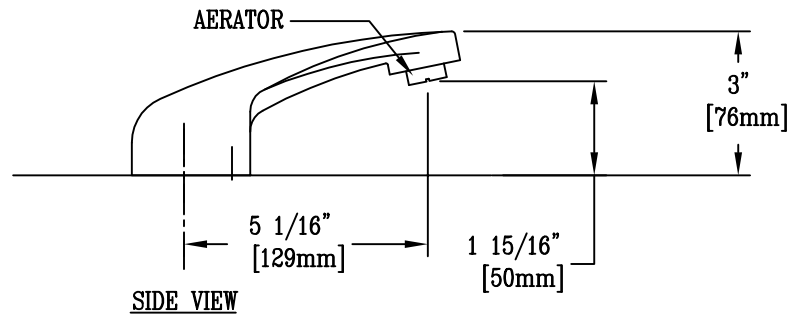
Job Name:

Architect/Engineer Approval:

Notes:



ADA COMPLIANT



NOTE: ROUGH-IN REQUIRED:

ø7/8 FOR CENTER SHANK

ø1 1/4 FOR HOT/COLD SIDE BODIES

Product Description:

8" c/c DECK MOUNTED COMMERCIAL MIXING FCT.
w/ FLEXIBLE SUPPLIES, 5" CAST SPOUT,
4" WRIST ACTION HANDLES & AERATOR OUTLET

Drawn:

TEH

Checked

LEL

Scale:

1 : 4

Approved

MVW

Date:

1/25/05