

**T&S BRASS AND BRONZE WORKS, INC.**

2 SADDLEBACK COVE / P.O. BOX 1088 / TRAVELERS REST, SC 29690

PHONE 800-476-4103

FAX 864-834-3518



REG. #A2601  
ISO #9002

Model No.

B-2487

Item No.:

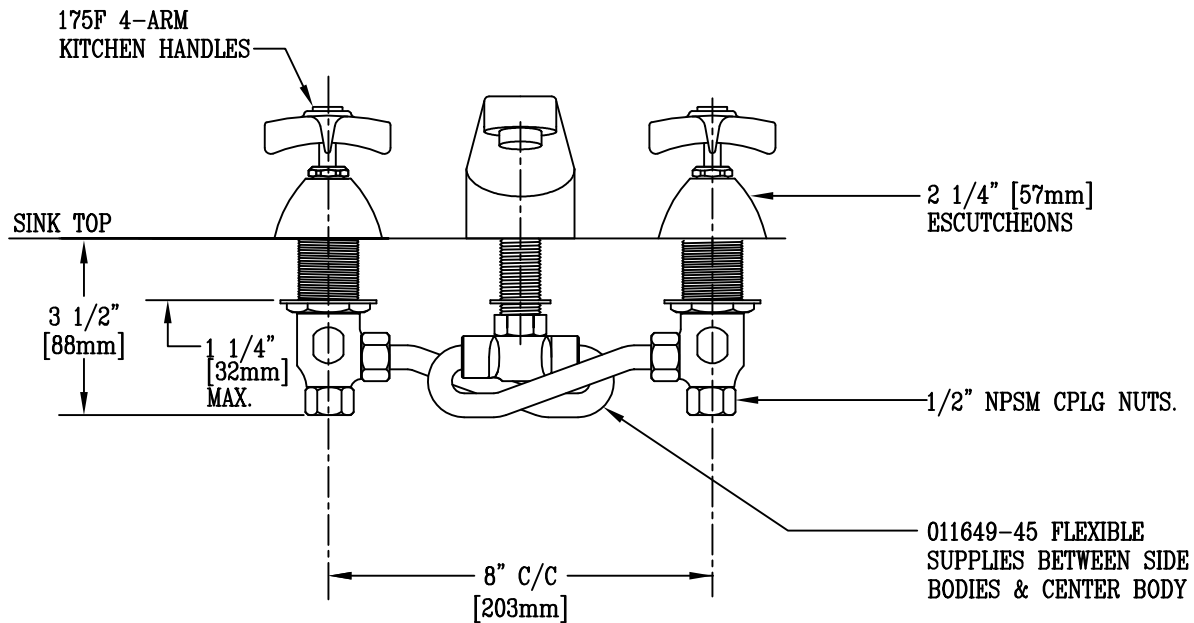
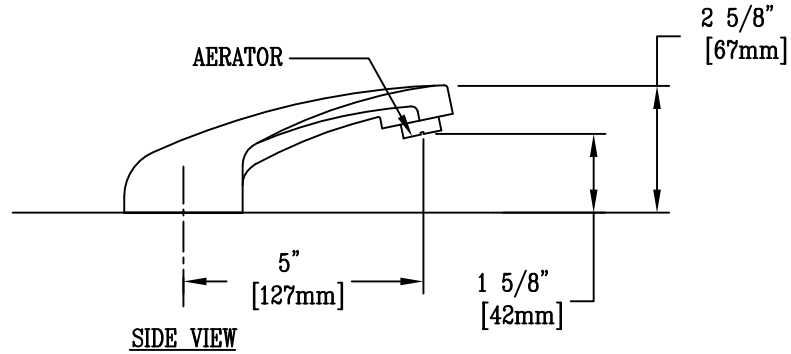
Job Name:

Architect/Engineer Approval:

Notes:



ADA COMPLIANT



**NOTE: ROUGH-IN REQUIRED:**  
 $\phi 7/8$  FOR CENTER SHANK  
 $\phi 1 1/4$  FOR HOT/COLD SIDE BODIES

Product Description:  
 8" c/c DECK MOUNTED MIXING FCT. w/  
 FLEXIBLE SUPPLIES, 5" CAST SPOUT w/ AERATOR,  
 175 4-ARM HANDLES

Drawn:

TEH

Checked

LEL

Scale:

1 : 4

Approved

MVW

Date:

1/25/05