



**T&S BRASS AND BRONZE WORKS, INC.**

2 SADDLEBACK COVE / P.O. BOX 1088 / TRAVELERS REST, SC 29690

PHONE 800-476-4103

FAX 864-834-3518



Model No.

B-2730-07

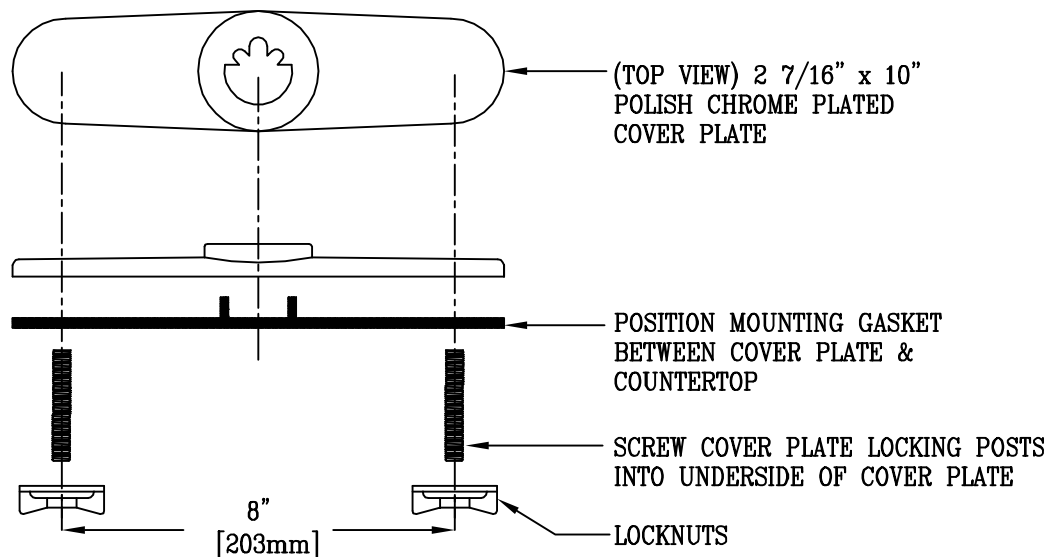
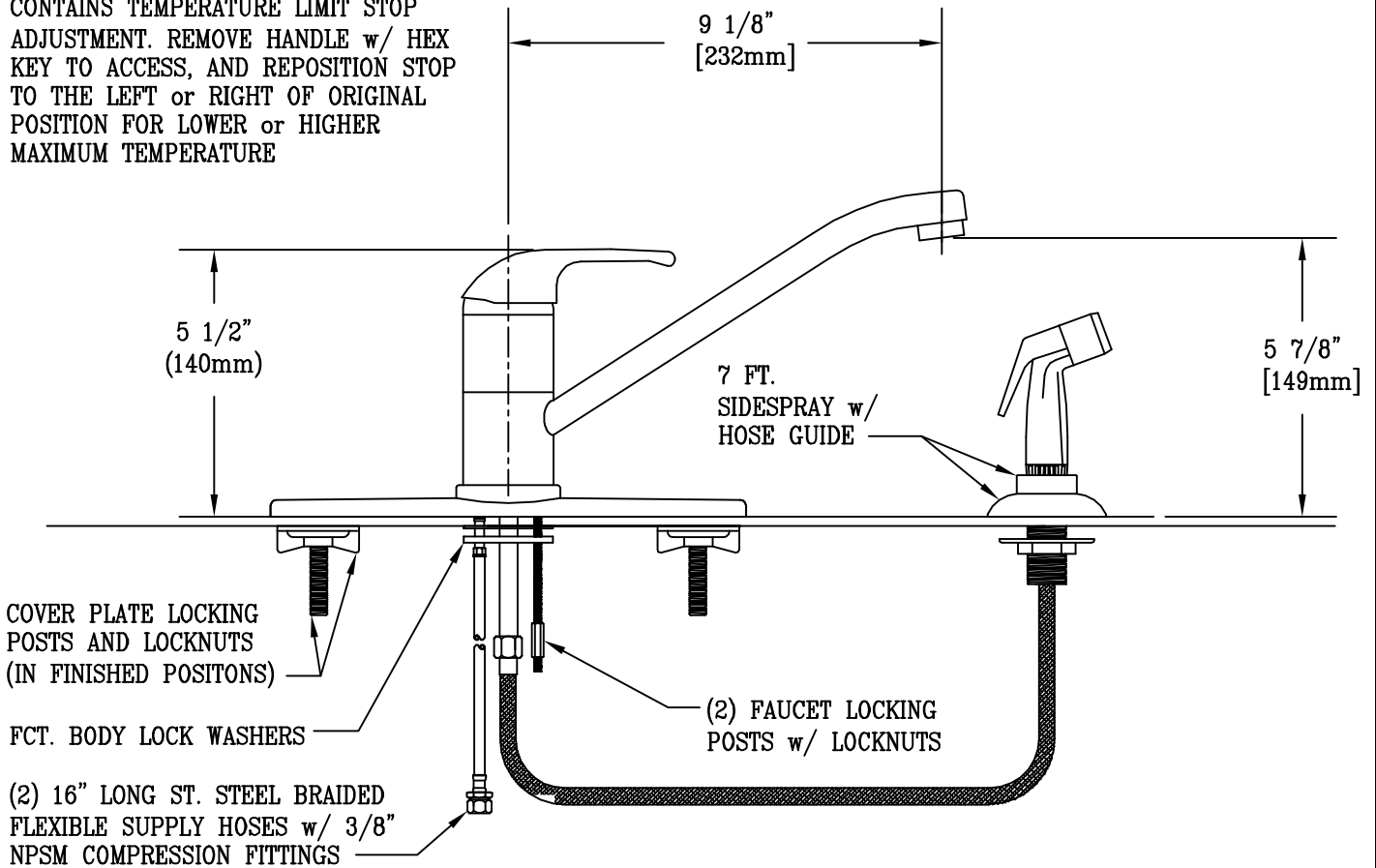
Item No.:

Job Name:

Architect/Engineer Approval:

Notes:

CONTAINS TEMPERATURE LIMIT STOP  
ADJUSTMENT. REMOVE HANDLE w/ HEX  
KEY TO ACCESS, AND REPOSITION STOP  
TO THE LEFT or RIGHT OF ORIGINAL  
POSITION FOR LOWER or HIGHER  
MAXIMUM TEMPERATURE



ADA COMPLIANT

Product Description:  
SINGLE LEVER LINE:  
9" SPOUT, SWIVEL BASE, FLEXIBLE SUPPLIES, 10"  
DECKPLATE, 7 FT. SIDESPRAY, TEMPERATURE LIMIT STOP

Drawn: WJS	Checked JKD	Scale: 1 : 2
Approved MVW	Date: 4/1/02	