



T&S BRASS AND BRONZE WORKS, INC.

2 SADDLEBACK COVE / P.O. BOX 1088 / TRAVELERS REST, SC 29690

PHONE 800-476-4103

FAX 864- 834-3518



Model No.

B-2730-LH

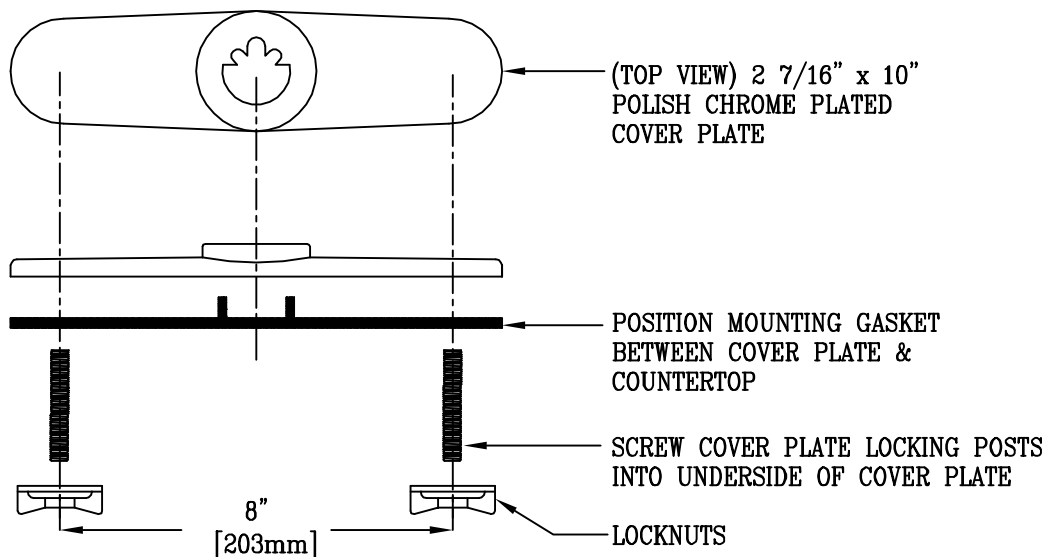
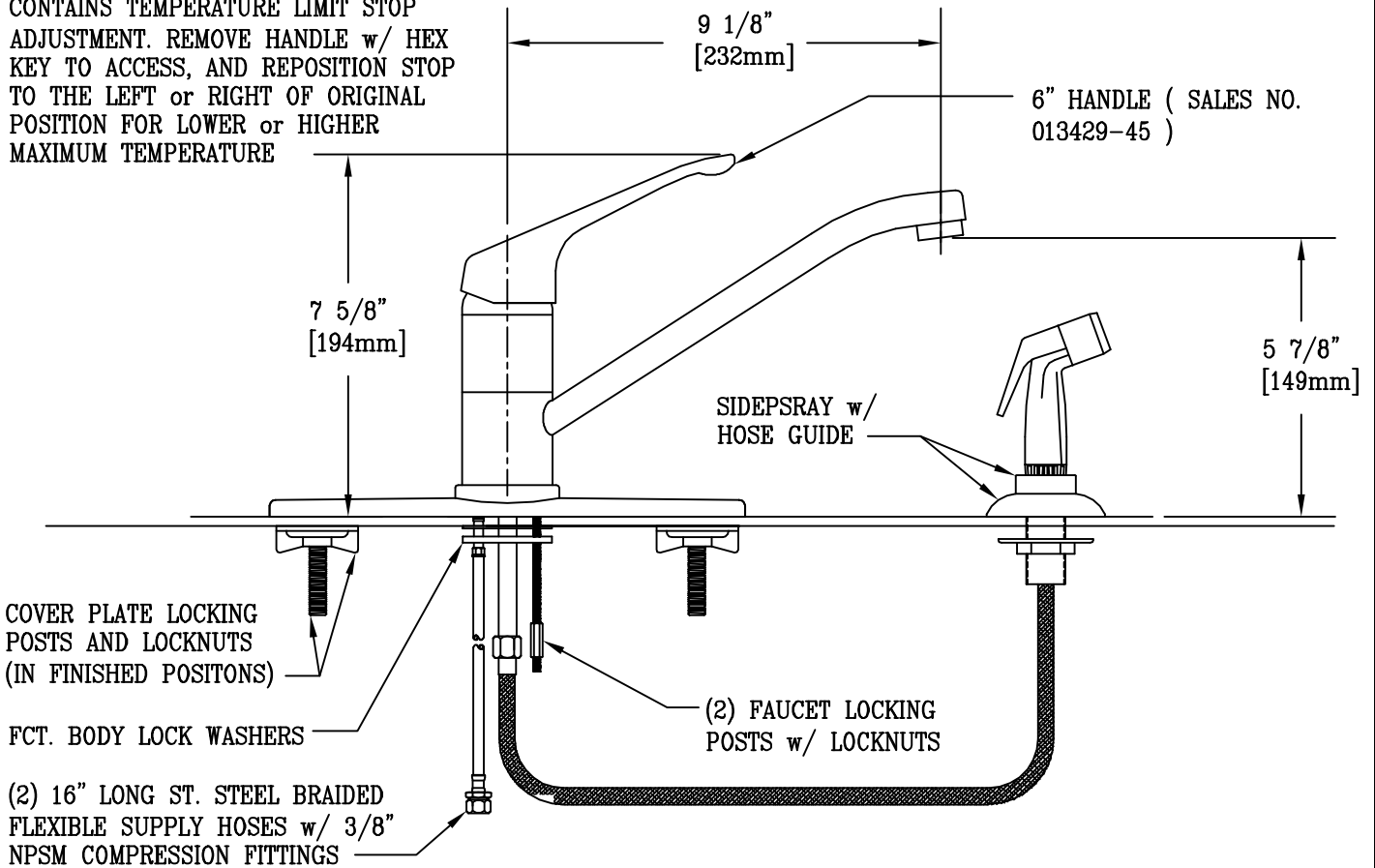
Item No.:

Job Name:

Architect/Engineer Approval:

Notes:

CONTAINS TEMPERATURE LIMIT STOP
ADJUSTMENT. REMOVE HANDLE w/ HEX
KEY TO ACCESS, AND REPOSITION STOP
TO THE LEFT or RIGHT OF ORIGINAL
POSITION FOR LOWER or HIGHER
MAXIMUM TEMPERATURE



ADA COMPLIANT

Product Description:
SINGLE LEVER LINE:
9" SPOUT, SWIVEL BASE, FLEXIBLE SUPPLIES, 10"
DECKPLATE, SIDESPRAY, TEMPERATURE LIMIT STOP, 6" HANDLE, AND CERAMIC CARTRIDGE

Drawn: WJS	Checked JKD	Scale: 1 : 2
Approved MVW	Date: 04/01/02	