



**T&S BRASS AND BRONZE WORKS, INC.**

2 SADDLEBACK COVE / P.O. BOX 1088 / TRAVELERS REST, SC 29690

PHONE 800-476-4103

FAX 864-834-3518



Model No.

B-2731

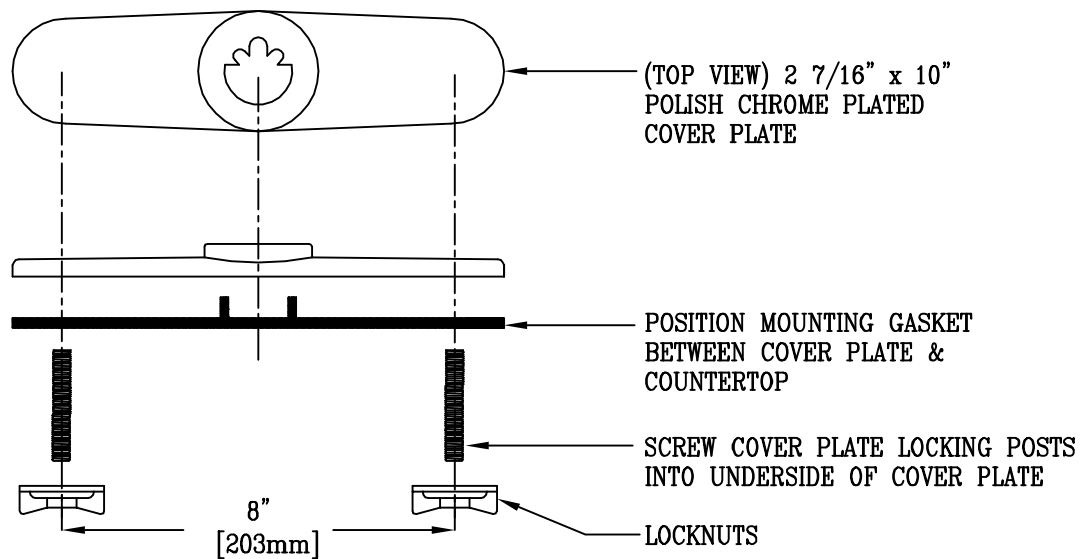
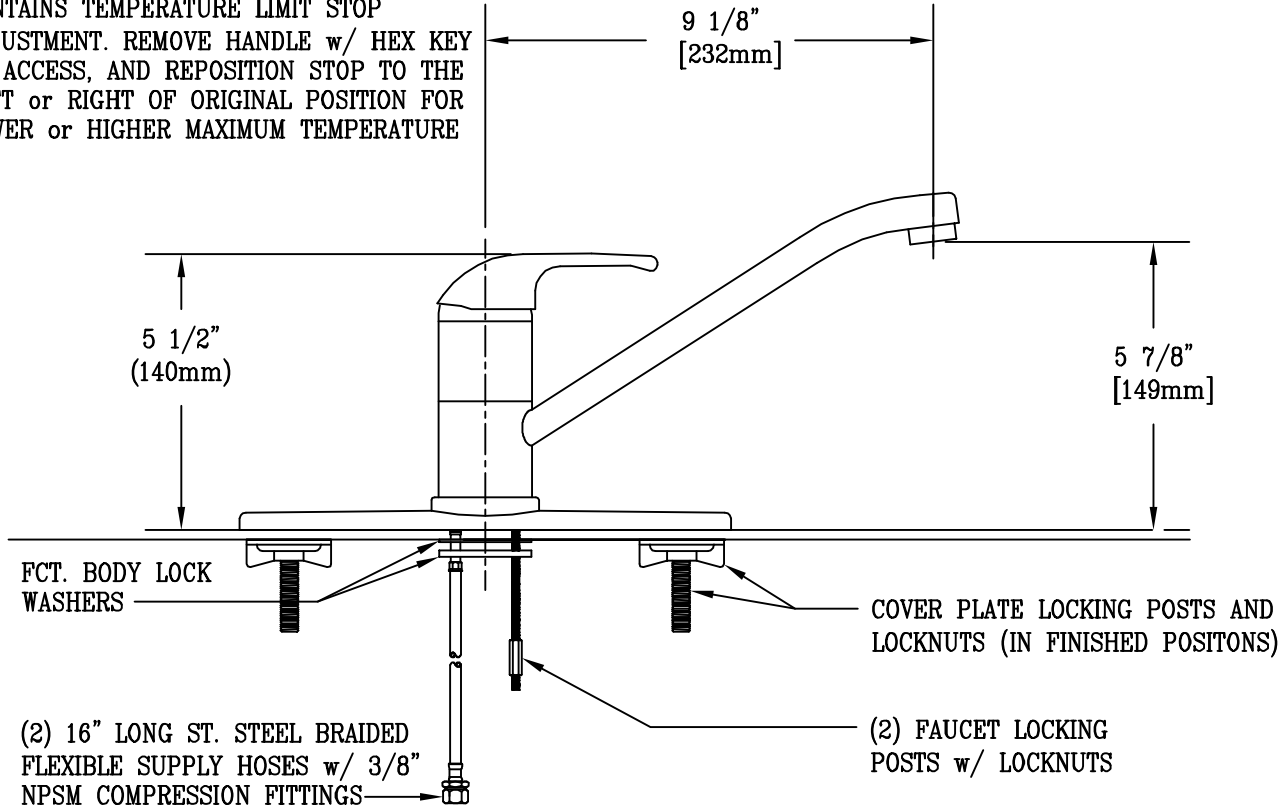
Item No.:

Job Name:

Architect/Engineer Approval:

Notes:

CONTAINS TEMPERATURE LIMIT STOP  
ADJUSTMENT. REMOVE HANDLE w/ HEX KEY  
TO ACCESS, AND REPOSITION STOP TO THE  
LEFT or RIGHT OF ORIGINAL POSITION FOR  
LOWER or HIGHER MAXIMUM TEMPERATURE



ADA COMPLIANT

Product Description:

SINGLE LEVER LINE:

9" SPOUT, SWIVEL BASE, FLEXIBLE SUPPLIES,  
10" DECKPLATE, TEMPERATURE LIMIT STOP , AND CERAMIC CARTRIDGE

Drawn:

WJS

Checked

TEH

Scale:

1 : 2

Approved

MVW

Date:

04/01/02