



T&S BRASS AND BRONZE WORKS, INC.

2 SADDLEBACK COVE / P.O. BOX 1088 / TRAVELERS REST, SC 29690

PHONE 800-476-4103

FAX 864- 834-3518



REG.#A2601
ISO #9002

Model No.

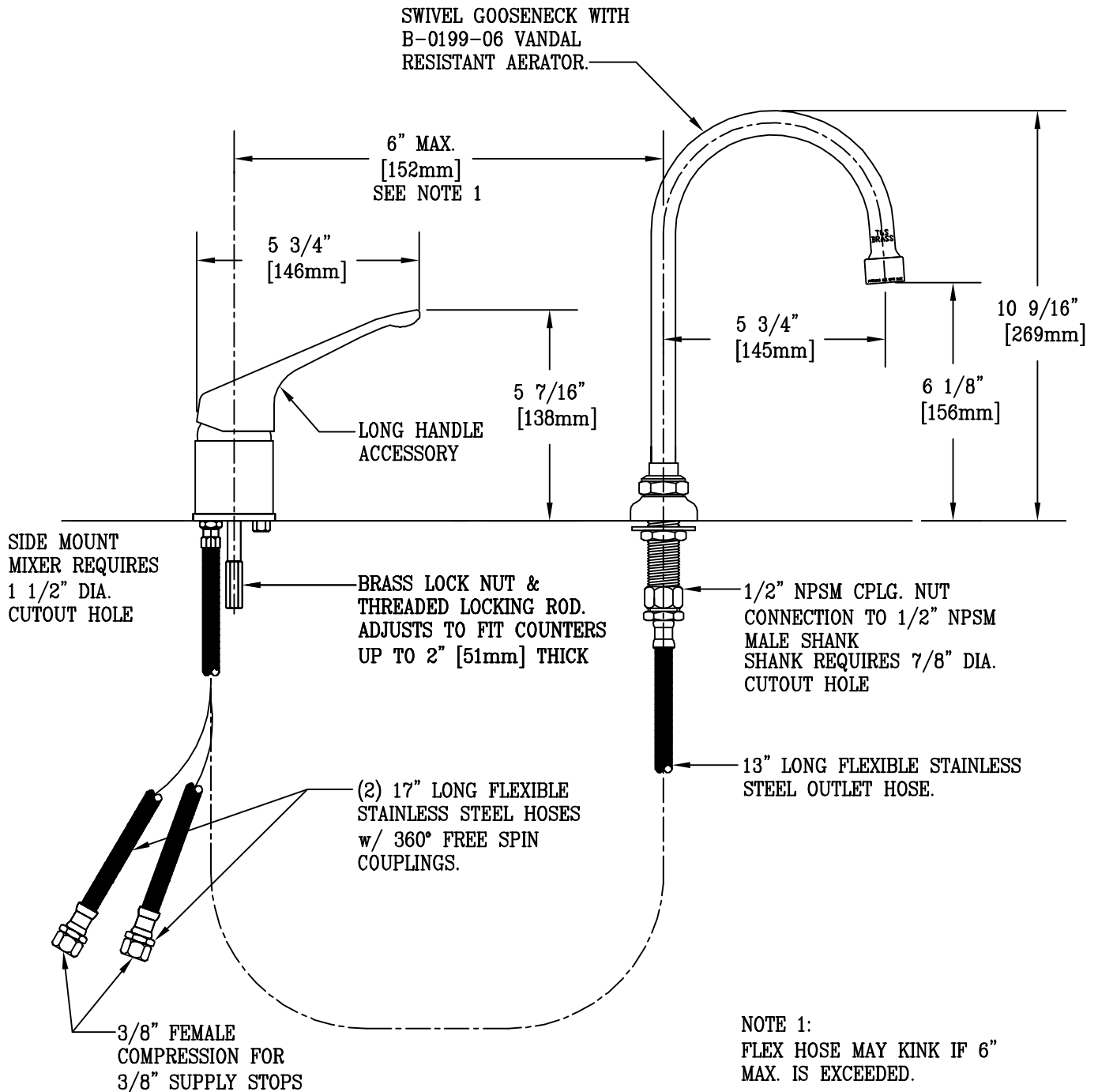
B-2742-LH

Item No.:

Job Name:

Architect/Engineer Approval:

Notes:



Product Description:
SIDE MOUNT FAUCET:
REMOTE CONTROL BASE w/ FLEXIBLE ST. STEEL WATER CONNECTORS,
w/ LONG HANDLE, SWIVEL GOOSENECK, & B-0199-06 V.R. AERATOR

Drawn: WJS	Checked JKD	Scale: 1 : 4
Approved MVW		Date: 3/21/03