



T&S BRASS AND BRONZE WORKS, INC.

2 SADDLEBACK COVE / P.O. BOX 1088 / TRAVELERS REST, SC 29690

PHONE 800-476-4103

FAX 803-834-3518



REG. #A2601
ISO #9002

Model No.

B-2850-L

Item No.:

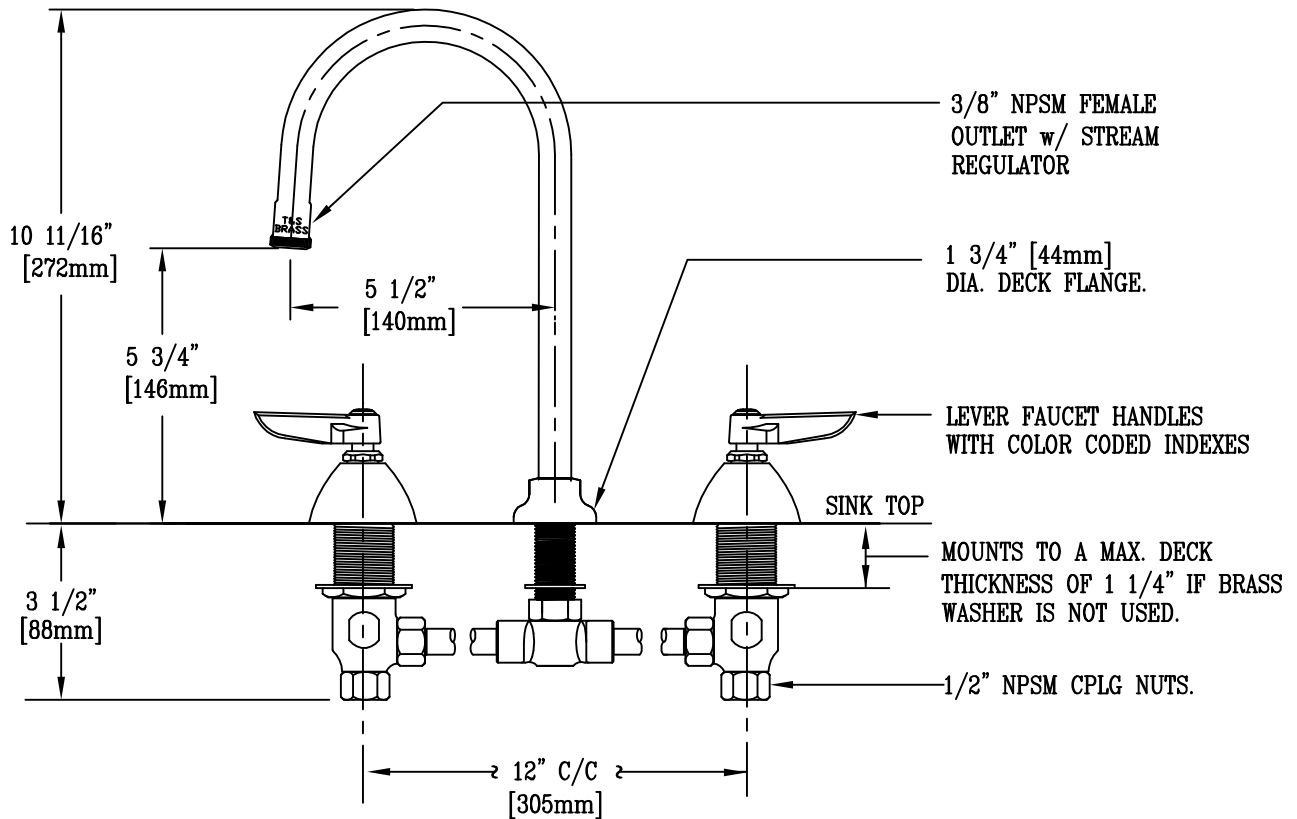
Job Name:

Architect/Engineer Approval:

Notes:



ADA COMPLIANT



NOTE: ROUGH-IN REQUIRED:
ø7/8 FOR CENTER SHANK
ø1 1/4 FOR HOT/COLD SIDE BODIES

NSF STANDARD 61, SECTION 9 CERTIFIED.

Product Description:

12" c/c DECK MOUNTED COMMERCIAL FAUCET
w/ 120X RIGID GOOSENECK & STREAM REGULATOR,
LEVER HANDLES, & 1/2" NPSM CPLG. NUTS

Drawn:

TEH

Checked

LEL

Scale:

1 : 4

Approved

MVW

Date:

1/25/05