

**T&S BRASS AND BRONZE WORKS, INC.**

2 SADDLEBACK COVE / P.O. BOX 1088 / TRAVELERS REST, SC 29690

PHONE 800-476-4103

FAX 803- 834-3518



REG. #A2601  
ISO #9002

Model No.

B-2852

Item No.:

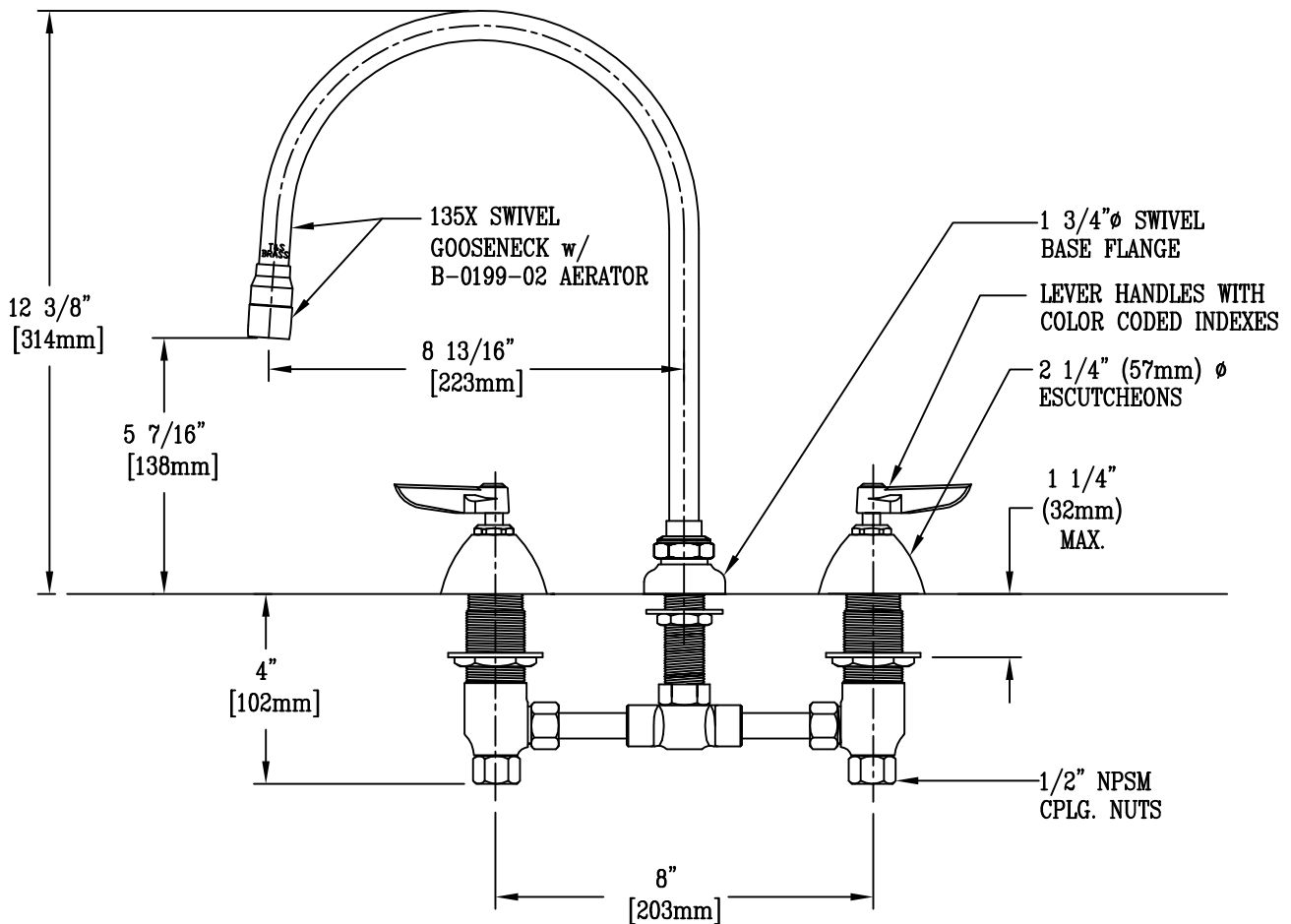
Job Name:

Architect/Engineer Approval:

Notes:



ADA COMPLIANT



NOTE: ROUGH-IN REQUIRED:  
 $\phi$ 7/8 FOR CENTER SHANK  
 $\phi$ 1 1/4 FOR HOT/COLD SIDE BODIES

Product Description:

8" c/c DECK MOUNTED COMMERCIAL FAUCET w/  
 135X SWIVEL GOOSENECK, B-0199-02 AERATOR,  
 AND LEVER HANDLES w/ COLOR CODED INDEXES

Drawn:

TEH

Approved

MVW

Checked

LEL

Scale:

1 : 4

Date:

1/25/05