



T&S BRASS AND BRONZE WORKS, INC.

2 SADDLEBACK COVE / P.O. BOX 1088 / TRAVELERS REST, SC 29690

PHONE 800-476-4103

FAX 864-834-3518



REG.#A2601  
ISO #9002

Model No.

B-2974

Item No.:

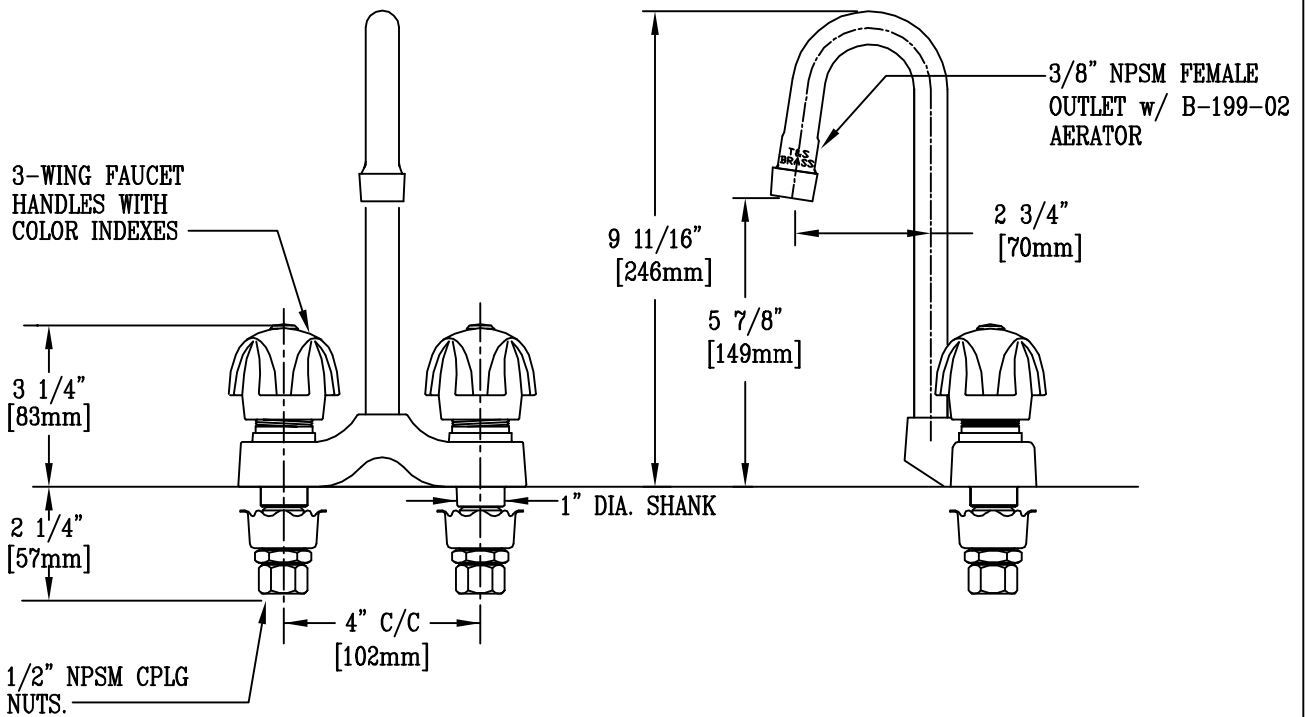
Job Name:

Architect/Engineer Approval:

Notes:



ADA COMPLIANT



Product Description:

CENTERSET COMMERCIAL FAUCET WITH GOOSENECK, AERATOR, THREE WING HANDLES, & 4" INLET CENTERS

Drawn:

WJS

Approved

MVW

Checked

MVW

Scale:

1 : 4

Date:

6-15-99