



# T&S BRASS AND BRONZE WORKS, INC.

2 Saddleback Cove / P.O. Box 1088  
Travelers Rest, SC 29690



REG. #A2601  
ISO #9001

Model No.

**B-3940**

Item No.

Travelers Rest, SC: 800-476-4103 Simi Valley, CA: 800-423-0150 Fax: 864-834-3518 www.tsbrass.com

This Space for Architect/Engineer Approval

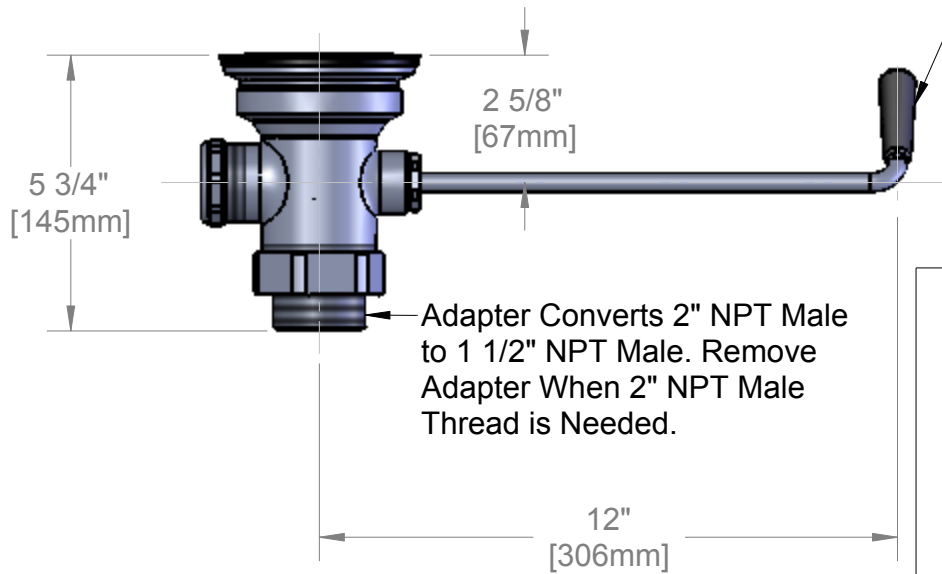
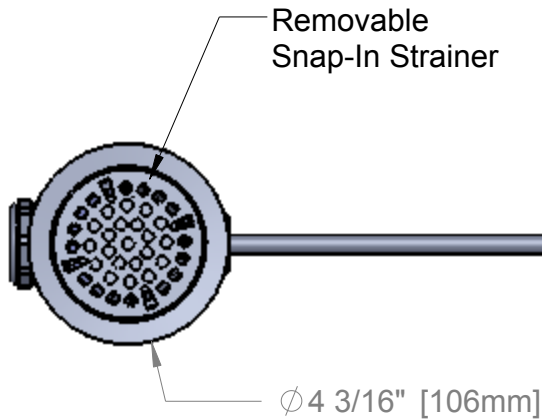
Job Name \_\_\_\_\_ Date \_\_\_\_\_

Model Specified \_\_\_\_\_ Quantity \_\_\_\_\_

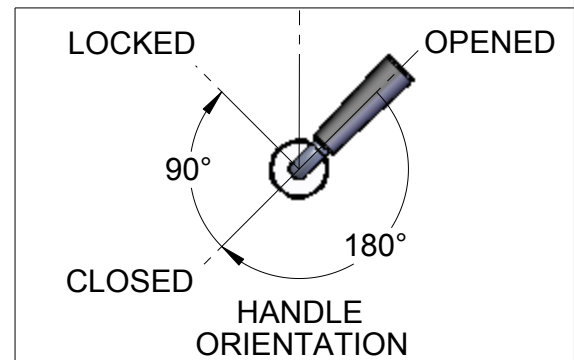
Customer/Wholesaler \_\_\_\_\_

Contractor \_\_\_\_\_

Architect/Engineer \_\_\_\_\_



Twist Handle w/  
Heat Resistant  
Plastic Grip (Shown  
in Open Position)



Product Specifications:

Rotary Waste Valve w/ Twist Handle, 3" Sink Opening,  
2" NPT Male Outlet & 1 1/2" NPT Male Adapter

Drawn DHL	Checked JRM	Approved JHB
Scale: 1:4	Date: 12/01/06	



**T&S BRASS AND BRONZE WORKS, INC.**

2 Saddleback Cove / P.O. Box 1088  
Travelers Rest, SC 29690



REG. #A2601  
ISO #9001

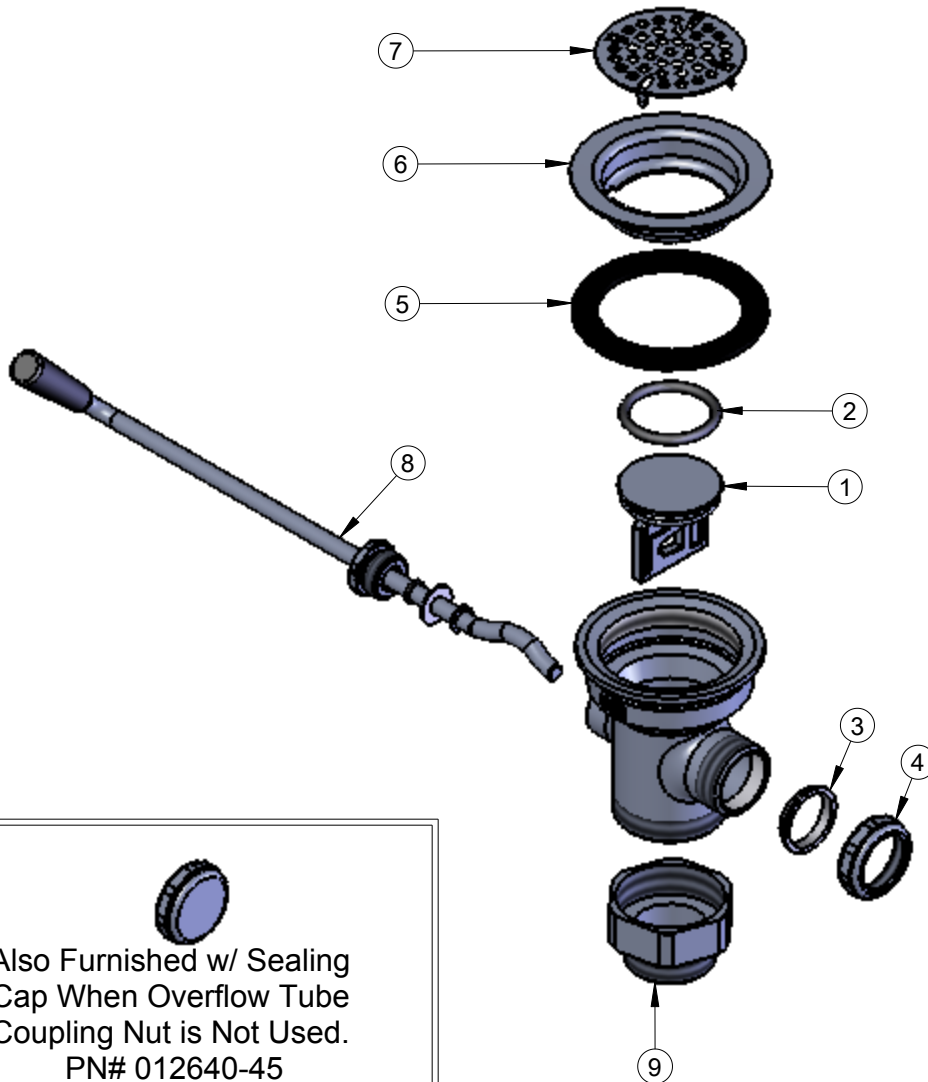
Model No.

**B-3940**

Item No.

Travelers Rest, SC: 800-476-4103 Simi Valley, CA: 800-423-0150 Fax: 864-834-3518 www.tsbrass.com

ITEM	SALE NO.	DESCRIPTION
1	010388-45	Plunger, Twist Drain
2	010389-45	O-Ring, Plunger
3	010390-45	Ferrule, Coupling Nut
4	010391-45	Nut, Coupling For Twist Drain
5	015305-45	Gasket, 3" Face Flange
6	015306-45	Flange, 3" Face
7	015307-45	Strainer, 3" Snap-in
8	010393-45	Rod Assembly, Twist
9	B-3945	Adapter, 2" NPT x 1 1/2" NPT



Also Furnished w/ Sealing Cap When Overflow Tube Coupling Nut is Not Used.  
PN# 012640-45

Product Specifications:

Rotary Waste Valve w/ Twist Handle, 3" Sink Opening,  
2" NPT Male Outlet & 1 1/2" NPT Male Adapter

Drawn <b>DHL</b>	Checked <b>JRM</b>	Approved <b>JHB</b>
Scale: <b>1:4</b>		Date: <b>12/01/06</b>