



T&S BRASS AND BRONZE WORKS, INC.

2 SADDLEBACK COVE / P.O. BOX 1088 / TRAVELERS REST, SC 29690

PHONE 800-476-4103

FAX 864-834-3518



REG.#A2601  
ISO #9001

Model No.

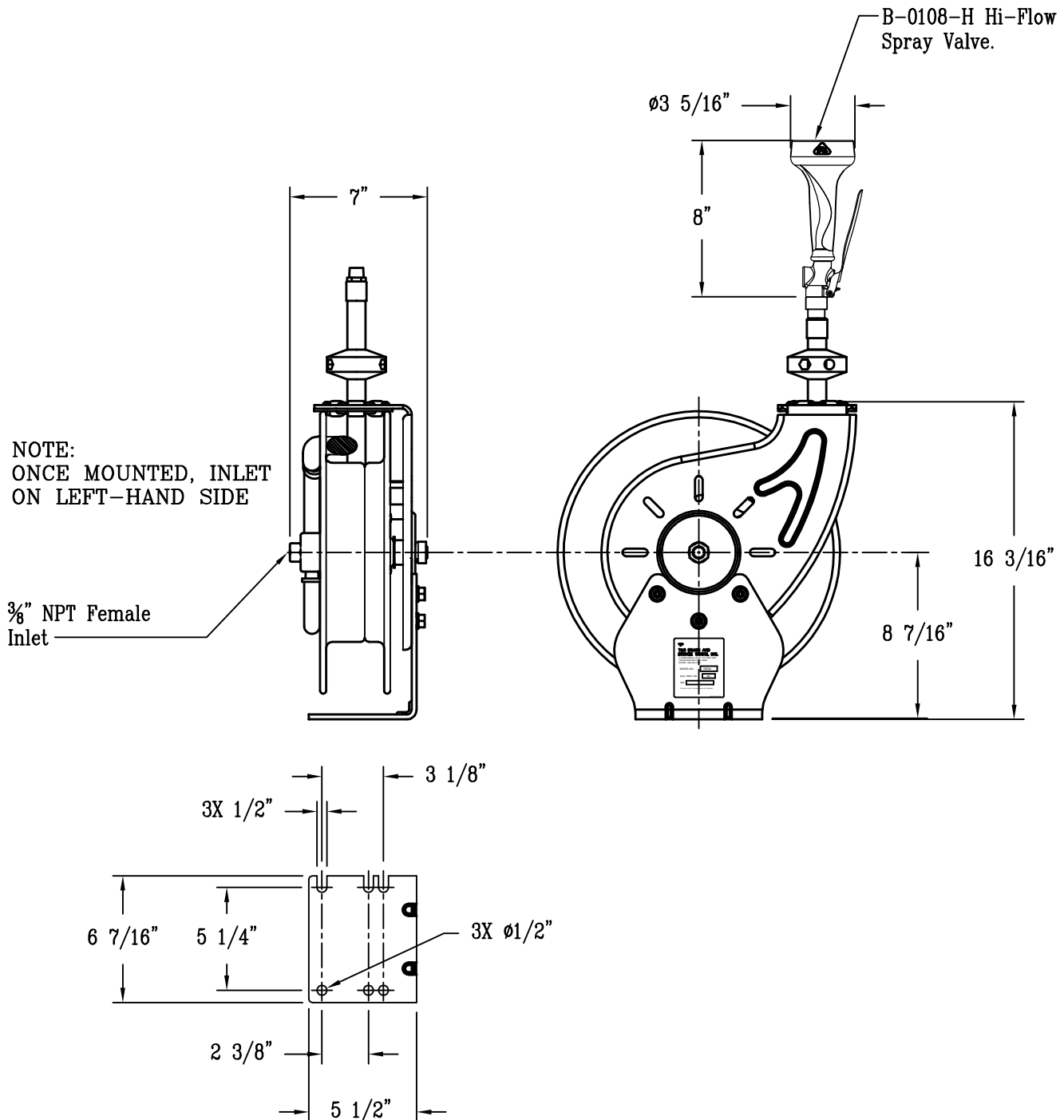
B-7132-08H

Item No.:

Job Name:

Architect/Engineer Approval:

Notes:



Product Description:

Hose Reel, Open, Stainless Steel,  
35 Ft. of  $\frac{3}{8}"$  Dia Blue Hose and  
B-0108-H Hi-Flow Spray Valve

Drawn:

WJS

Checked

JRM

Scale:

1:8

Approved

JHB

Date:

05/18/06