



T&S BRASS AND BRONZE WORKS, INC.

2 SADDLEBACK COVE / P.O. BOX 1088 / TRAVELERS REST, SC 29690
PHONE 800-476-4103 FAX 864-834-3518



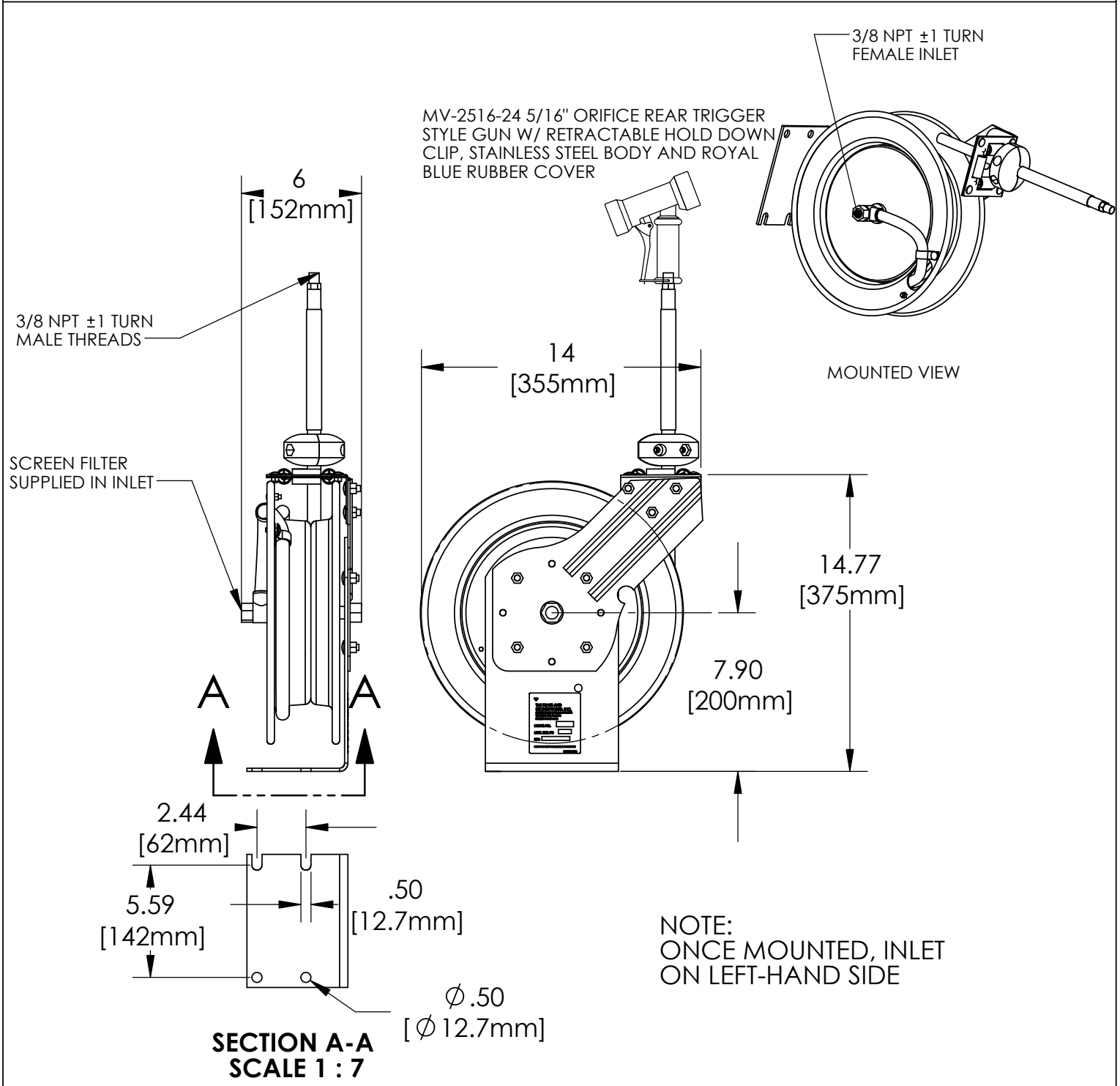
Model No.
B-7212-02

Item No.

Job Name:

Architect/Engineer Approval:

Notes:



Product Description:
 HOSE REEL, OPEN, GRAY EPOXY POWDER-COATED STEEL, 15FT OF 3/8 DIA. BLUE HOSE & MV-2516-24 REAR TRIGGER, 5/16" SPRAY GUN

Drawn: JRM	Checked: WJS	Scale: 1:8
Approved: JHB	Date: 09/07/05	