



T&S BRASS AND BRONZE WORKS, INC.  
 2 SADDLEBACK COVE / P.O. BOX 1088 / TRAVELERS REST, SC 29690  
 PHONE 800-476-4103 FAX 864- 834-3518



Model No.  
 B-7242-08H  
 Item No.:

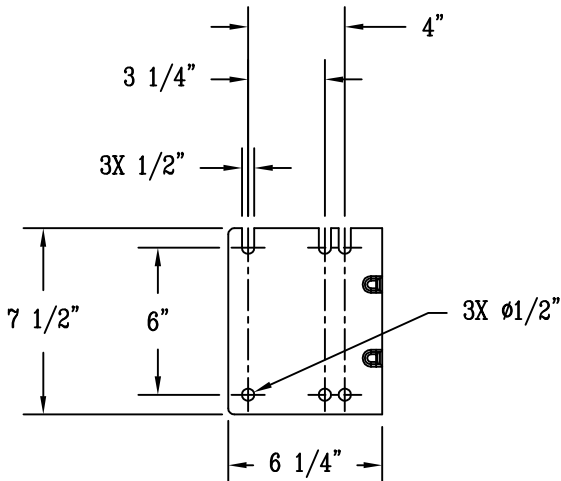
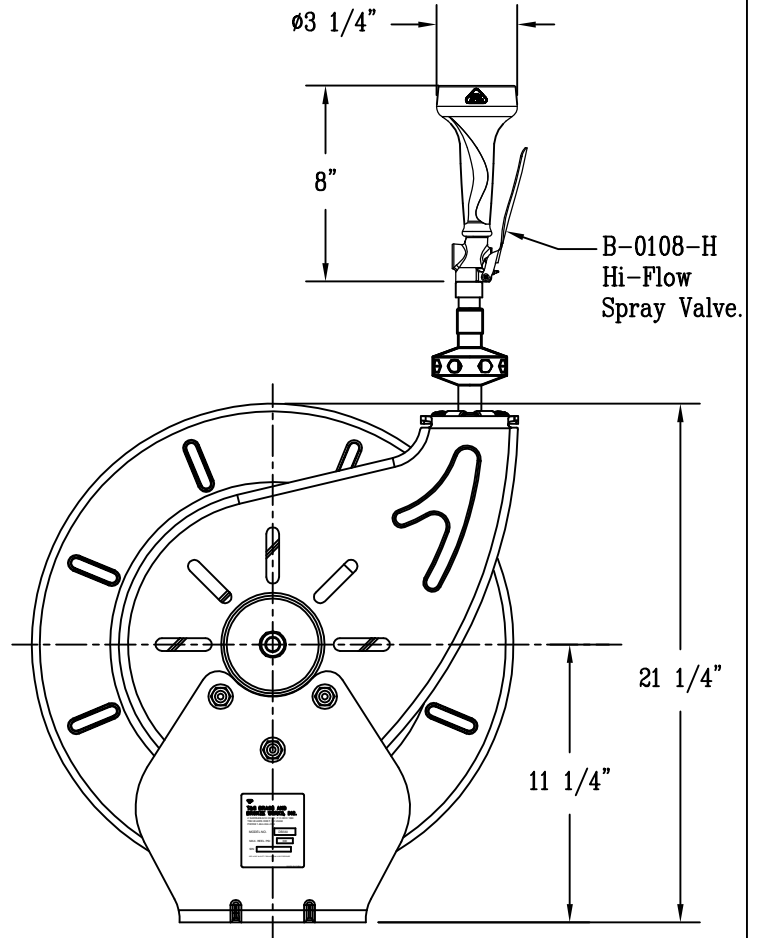
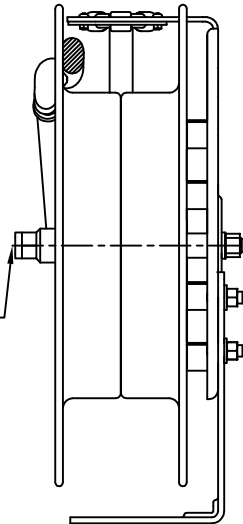
Job Name:

Architect/Engineer Approval:

Notes:

NOTE:  
 ONCE MOUNTED,  
 INLET ON  
 LEFT-HAND SIDE

3/8" NPT Female Inlet



Product Description:  
 Hose Reel: Open, Epoxy Powder Coated Steel,  
 50 FT OF 3/8 Dia. Blue Hose and  
 Hi-Flow Spray Valve

Drawn: WJS	Checked JRM	Scale: 1 : 8
Approved JHB	Date: 05/18/06	