

T&S BRASS AND BRONZE WORKS, INC.

2 SADDLEBACK COVE / P.O. BOX 1088 / TRAVELERS REST, SC 29690

PHONE 800-476-4103

FAX 864-834-3518



REG.#A2601
ISO #9001

Model No.

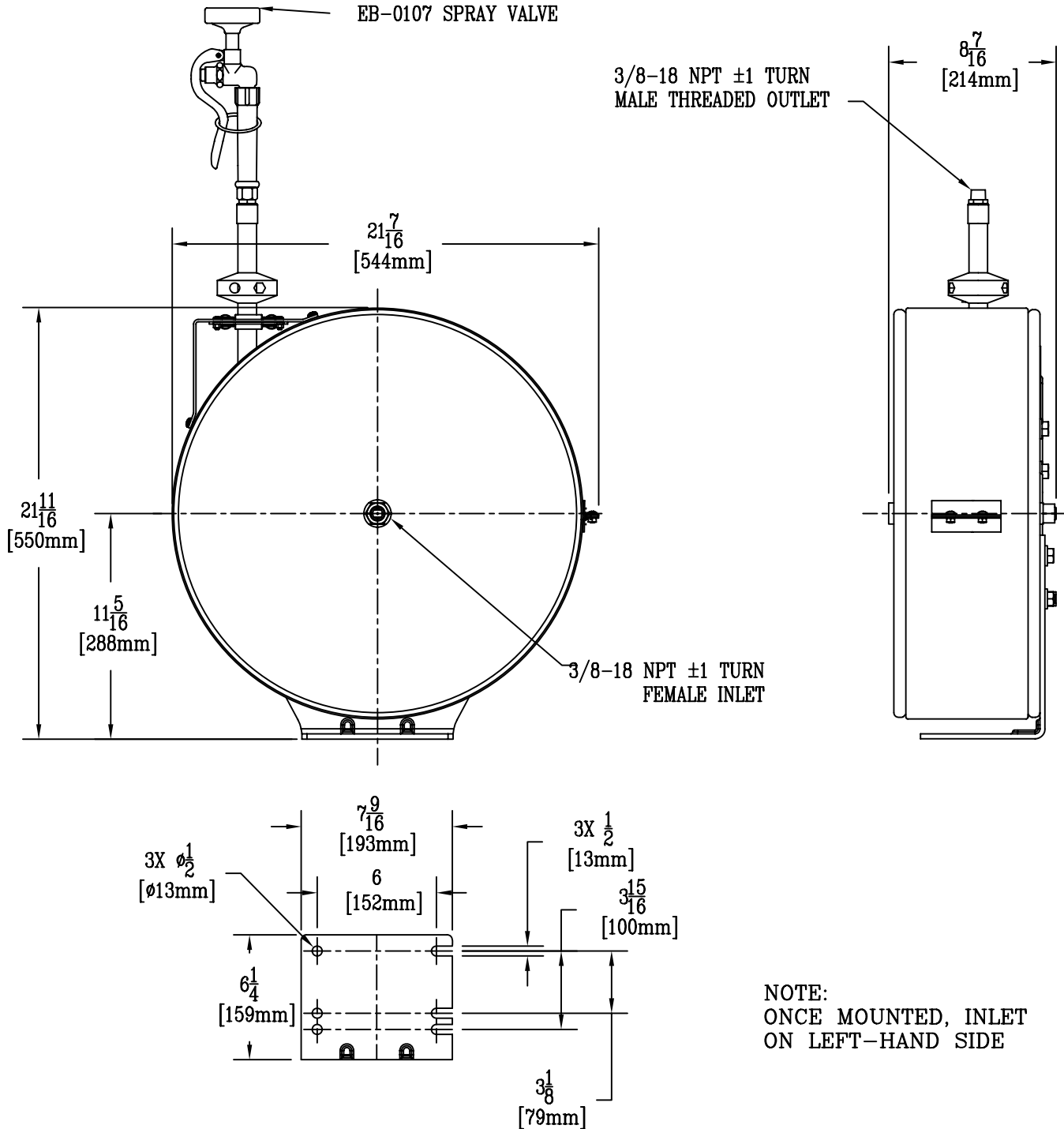
B-7242-CO1

Item No.:

Job Name:

Architect/Engineer Approval:

Notes:



NOTE:
ONCE MOUNTED, INLET
ON LEFT-HAND SIDE

EPAAct2005 NON-COMPLIANT

Product Description:
HOSEREEL, CLOSED, EPOXY POWDER COATED STEEL
50 FT OF 3/8 DIA. BLUE HOSE AND
EB-0107 SPRAY VALVE

Drawn:	Checked:	Scale:
DHL	WJS	1 : 8
Approved:	Date:	
JHB	8/18/06	