



T&S BRASS AND BRONZE WORKS, INC.
 2 SADDLEBACK COVE / P.O. BOX 1088 / TRAVELERS REST, SC 29690
 PHONE 800-476-4103 FAX 864-834-3518



Model No.

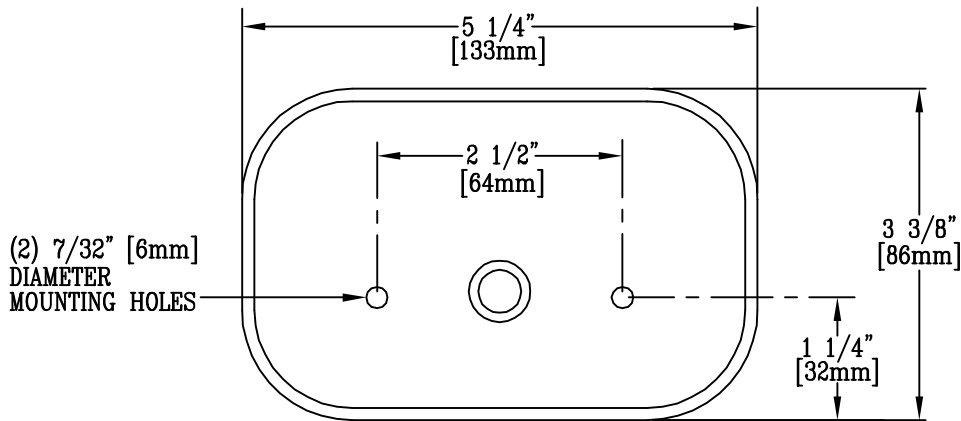
B-SDA

Item No.:

Job Name:

Architect/Engineer Approval:

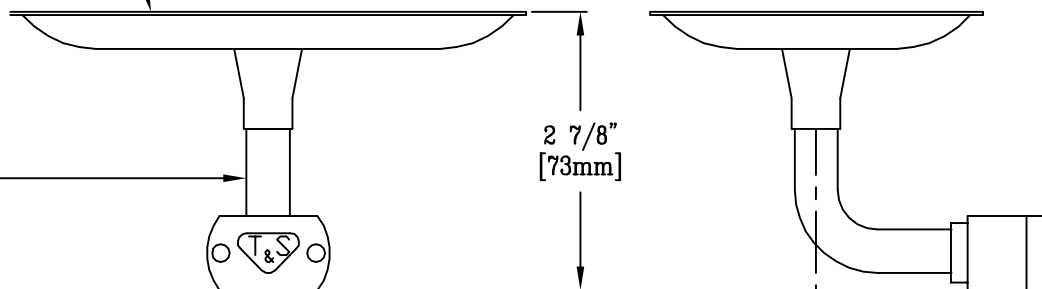
Notes:



TOP VIEW

SOAP DISH

SOAP DISH SHAFT



FRONT VIEW

SIDE VIEW

Product Description:

SOAP DISH ASSEMBLY

Drawn:

WJS

Approved

CA

Checked

ARY

Scale:

6"=1'

Date:

10/2/95