



T&S BRASS AND BRONZE WORKS, INC.

2 SADDLEBACK COVE / P.O. BOX 1088 / TRAVELERS REST, SC 29690

PHONE 800-476-4103

FAX 803-834-3518



REG.#A2601
ISO #9002

Model No.

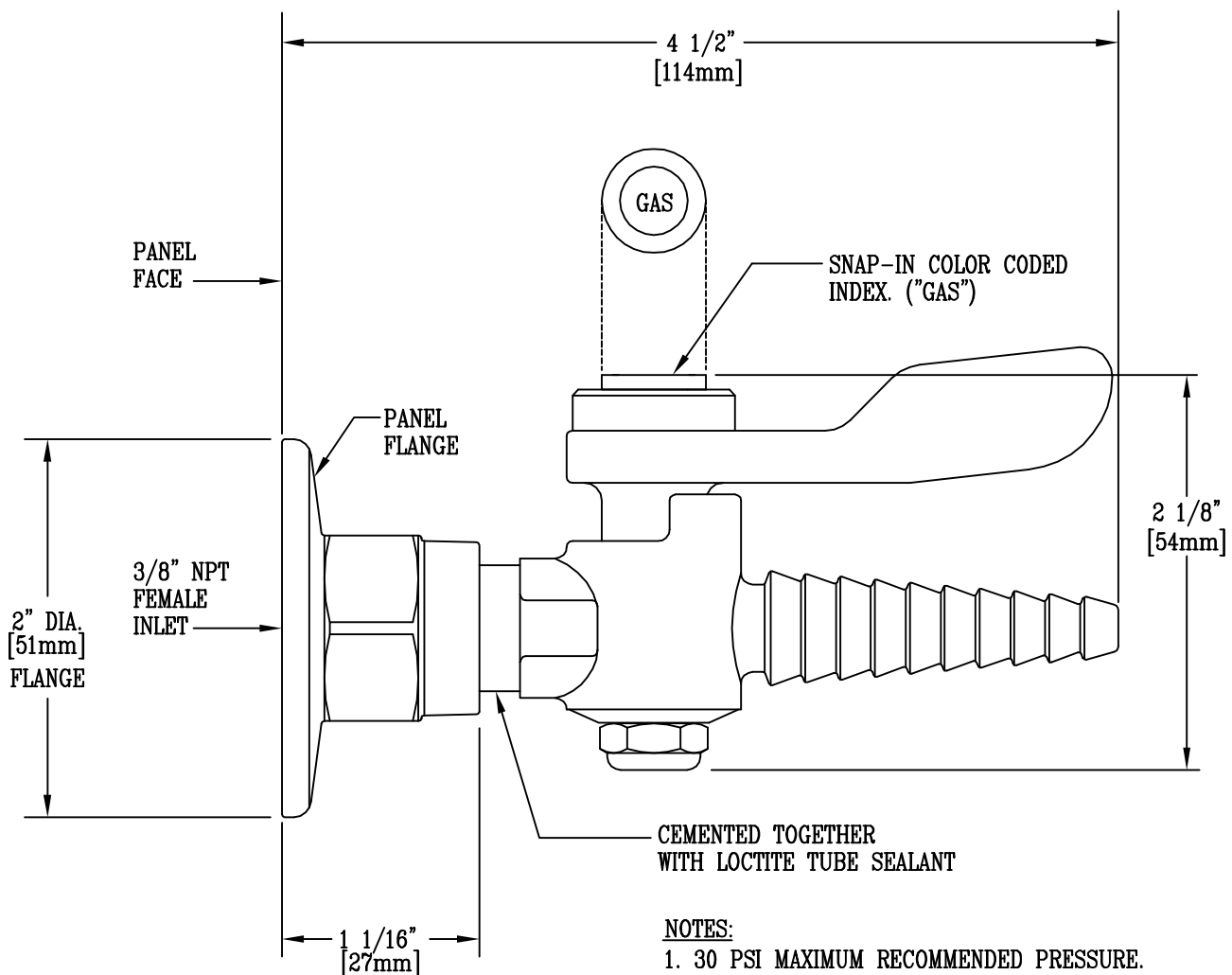
BL-4252-01

Item No.:

Job Name:

Architect/Engineer Approval:

Notes:



NOTES:

1. 30 PSI MAXIMUM RECOMMENDED PRESSURE. USE BL-4010-01 GAS COCK FOR OXYGEN OR PRESSURES ABOVE 30 PSIG.
2. SEE DRAWING BL-4000 FOR HOSE COCK SPECIFICATIONS.

Product Description:

LABORATORY PANEL FLANGE WITH HOSE COCK AND 3/8" NPT FEMALE INLET

Drawn:

WJS

Checked:

JKD

Scale:

1' = 1'

Approved

CA

Date:

11/22/95