



T&S BRASS AND BRONZE WORKS, INC.
 2 SADDLEBACK COVE / P.O. BOX 1088 / TRAVELERS REST, SC 29690
 PHONE 800-476-4103 - FAX 864- 834-3518



Model No.

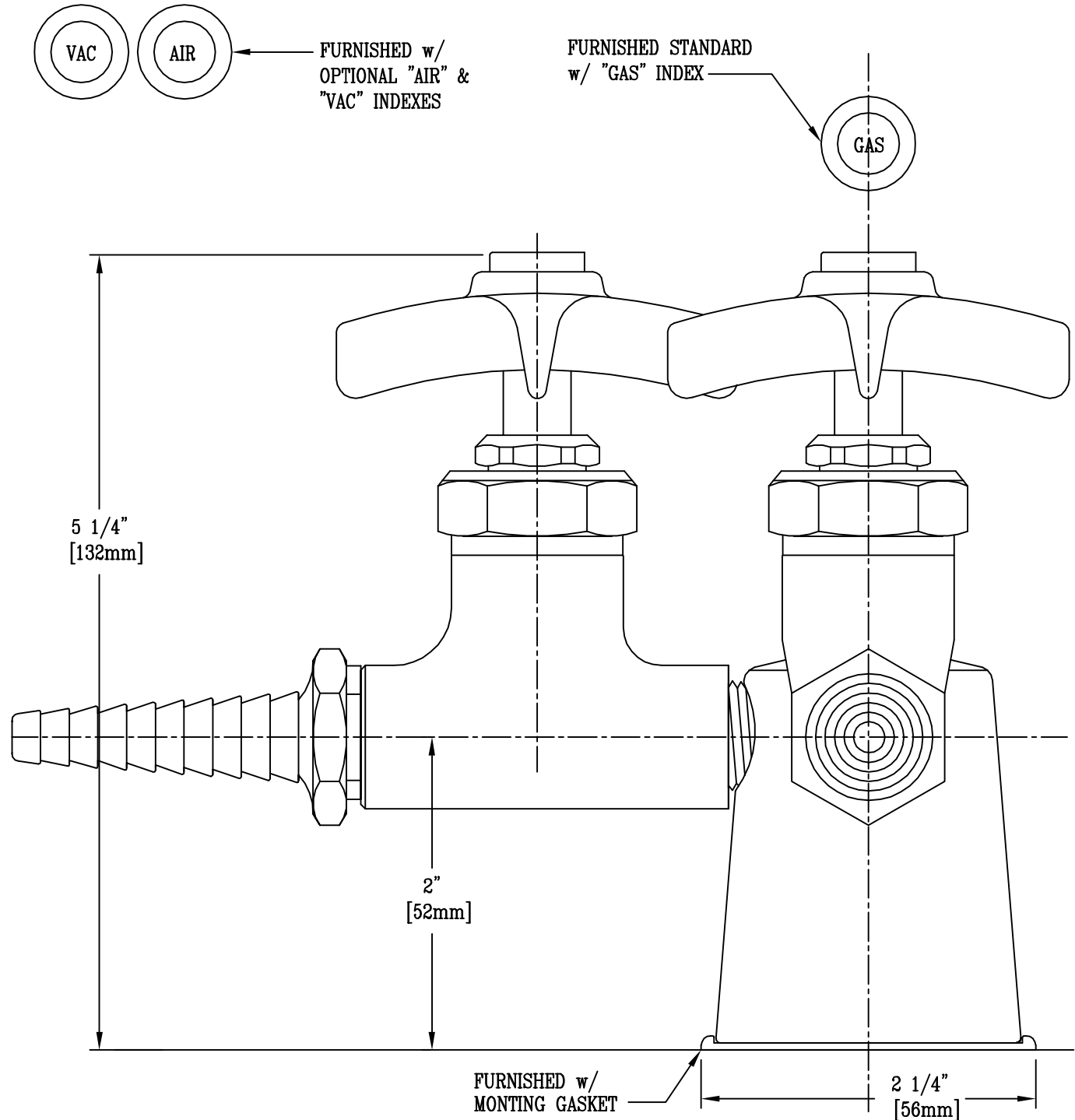
BL-4300-0

**RELIABILITY
BUILT IN**

Job Name:

Architect/Engineer Approval:

Notes:



Product Description:
 TURRET w/ (2) GAS VALVES AT 90° ANGLE

Drawn:

WJS

Approved

Checked

Scale:

1 : 1

Date: