



T&S BRASS AND BRONZE WORKS, INC.

2 SADDLEBACK COVE / P.O. BOX 1088 / TRAVELERS REST, SC 29690

PHONE 800-476-4103

FAX 803- 834-3518



Model No.

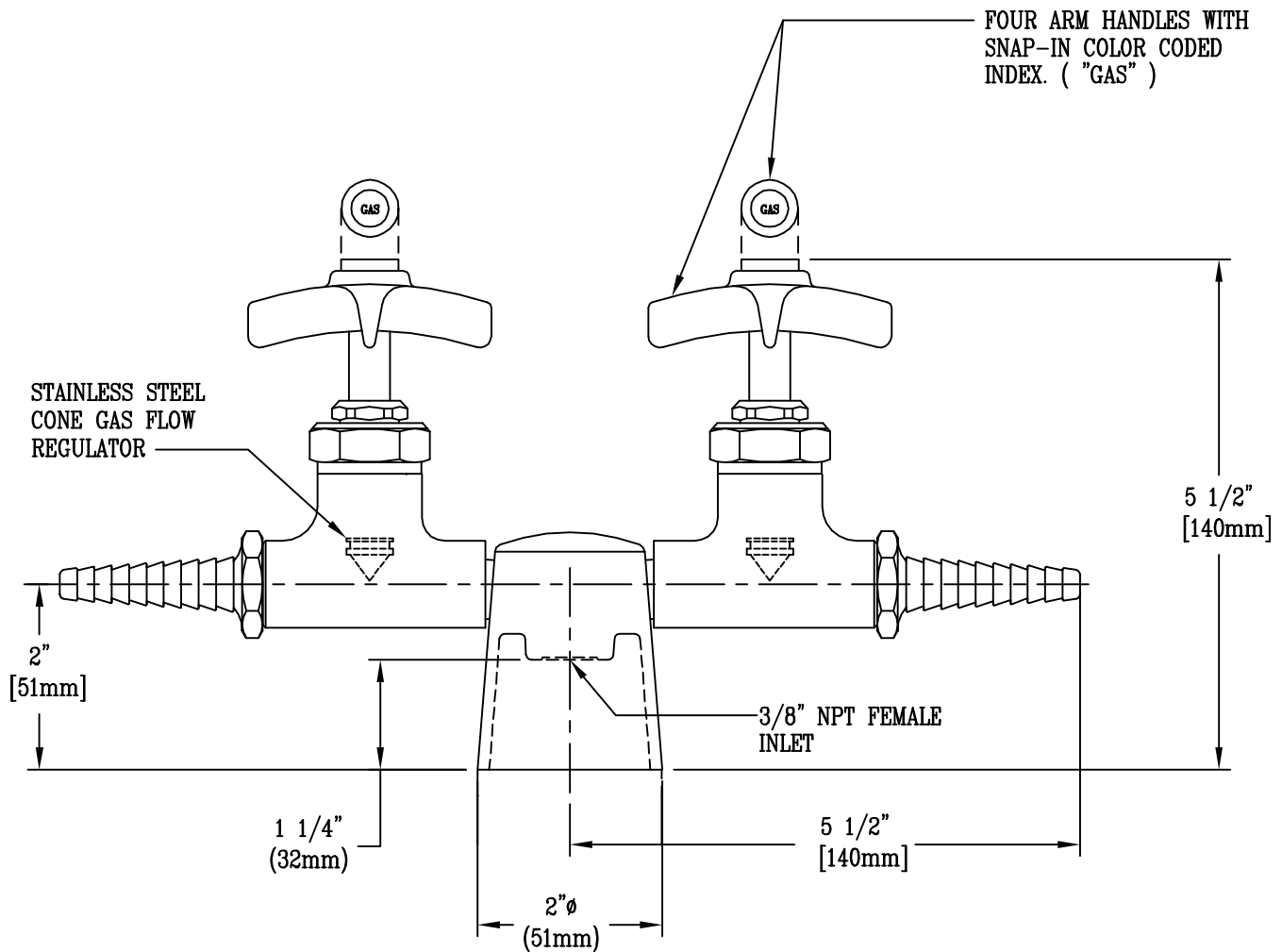
BL-4300-02

Item No.:

Job Name:

Architect/Engineer Approval:

Notes:



Product Description:

LABORATORY TURRET w/ (2) STRAIGHT STOPS
& 3/8" NPT FEMALE INLET

Drawn:

WJS

Checked

MVW

Scale:

1 : 2

Approved

MVW

Date:

9/1/00