



T&S BRASS AND BRONZE WORKS, INC.

2 SADDLEBACK COVE / P.O. BOX 1088 / TRAVELERS REST, SC 29690

PHONE 800-476-4103

FAX 803-834-3518



REG.#A2601
ISO #9002

Model No.

BL-4305-0

Item No.:

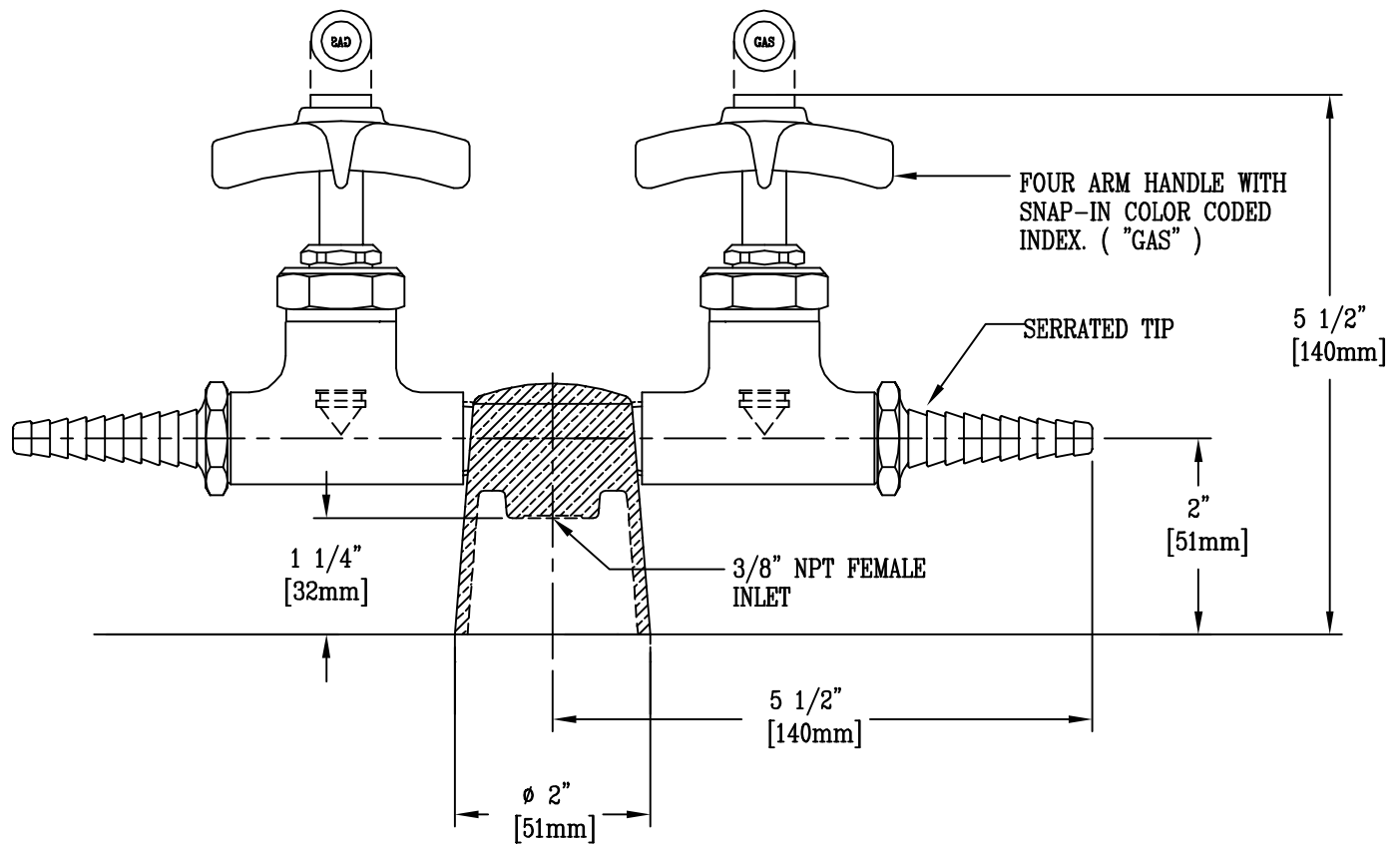
Job Name:

Architect/Engineer Approval:

Notes:



ADA COMPLIANT



Product Description:

2" DIAMETER TURRET BASE WITH (2) STRAIGHT WATER STOPS AT 90 DEGREE ANGLES, 3/8" NPT INLET

Drawn:

WJS

Checked:

JKD

Scale:

1 : 1

Approved

CA

Date:

11/22/95