



T&S BRASS AND BRONZE WORKS, INC.
 2 SADDLEBACK COVE / P.O. BOX 1088 / TRAVELERS REST, SC 29690
 PHONE 800-476-4103 - FAX 864- 834-3518



Model No.

BL-4355-01

**RELIABILITY
BUILT IN**

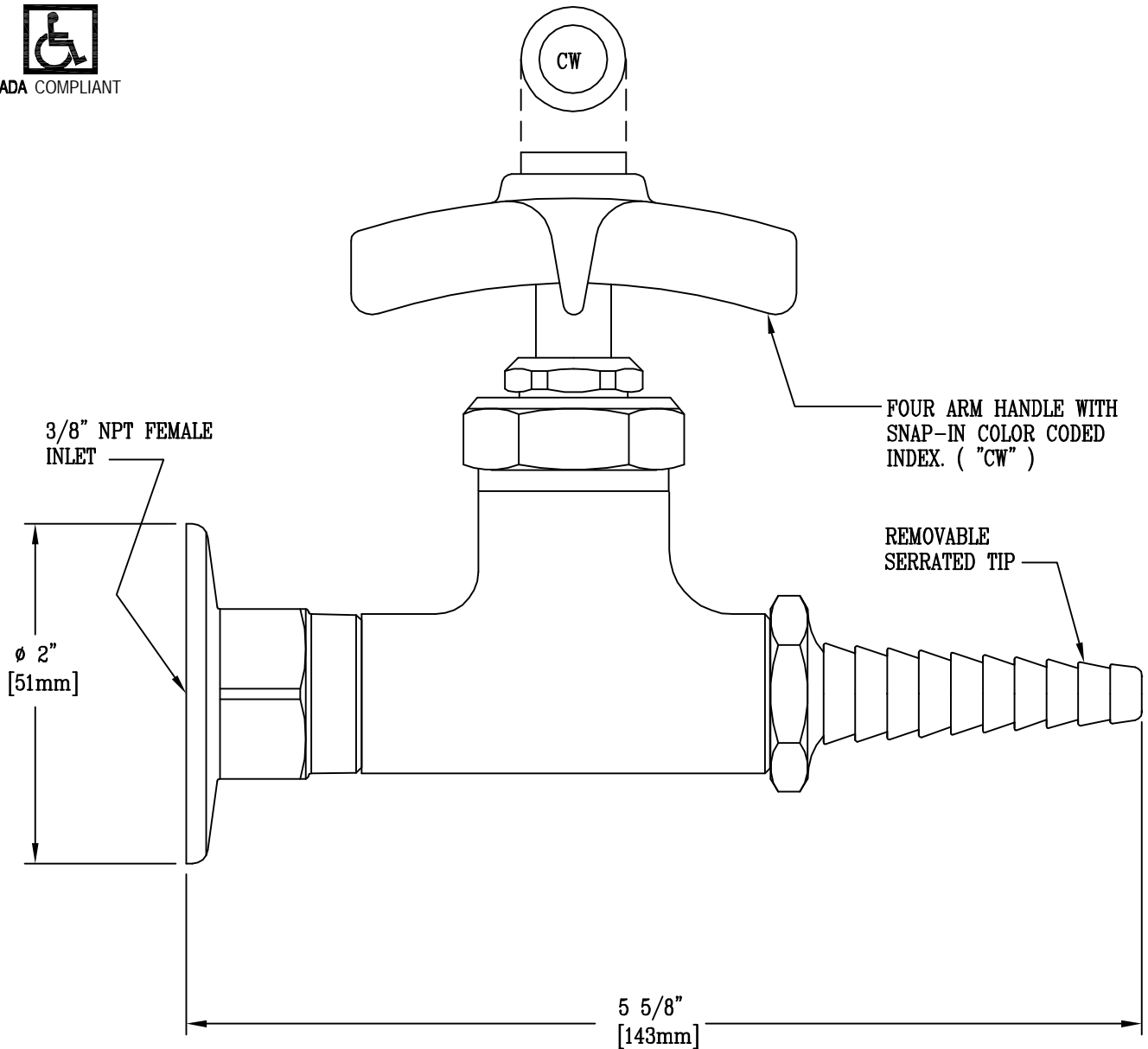
Job Name:

Architect/Engineer Approval:

Notes:



ADA COMPLIANT



Product Description:

PANEL FLANGE w/ STRAIGHT WATER STOP
 3/8" NPT FEMALE INLET, SERRATED TIP OUTLET

Drawn:

WJS

Approved

MVW

Checked

JKD

Scale:

1 : 2

Date:

07/22/02