



**T&S BRASS AND BRONZE WORKS, INC.**  
 2 SADDLEBACK COVE / P.O. BOX 1088 / TRAVELERS REST, SC 29690  
 PHONE 800-476-4103 FAX 864-834-3518



Model No.

BL-4422-01

Item No.:

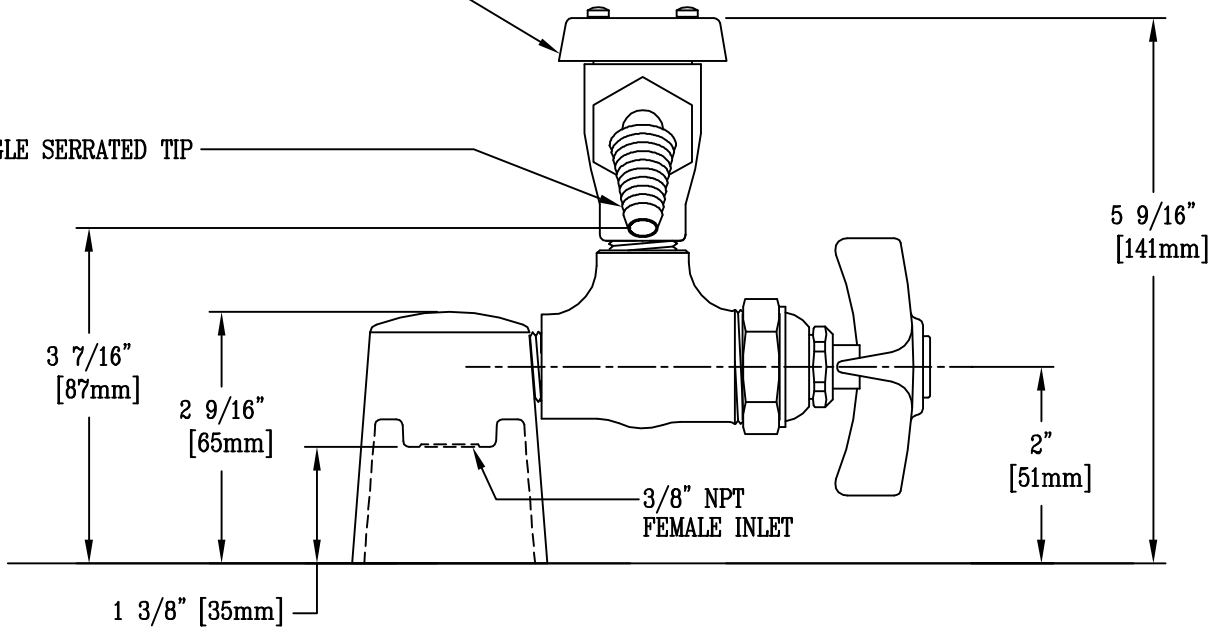
Job Name:

Architect/Engineer Approval:

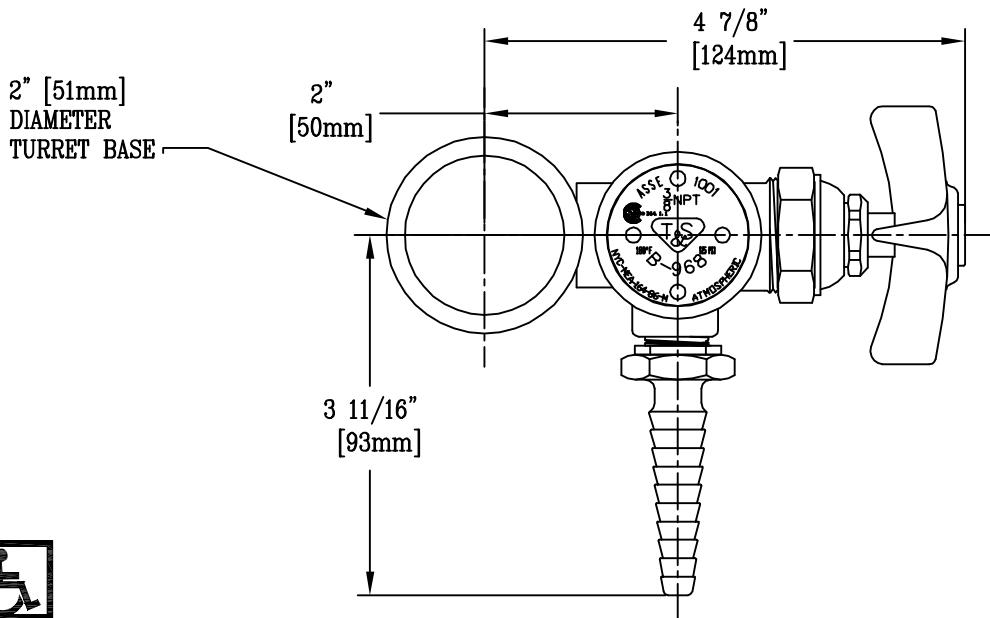
Notes:

ATMOSPHERIC VACUUM BREAKER.

ANGLE SERRATED TIP



**FRONT VIEW**



**TOP VIEW**



ADA COMPLIANT

Product Description:

TURRET BASE w/ SINGLE WATER OUTLET,  
 ATMOSPHERIC VACUUM BREAKER & SERRATED TIP

Drawn:

WJS

Checked:

MVW

Scale:

1 : 2

Approved

MVW

Date:

1/14/99