



**T&S BRASS AND BRONZE WORKS, INC.**

2 SADDLEBACK COVE / P.O. BOX 1088 / TRAVELERS REST, SC 29690

PHONE 800-476-4103

FAX 864- 834-3518



REG.#A2601  
ISO #9002

Model No.

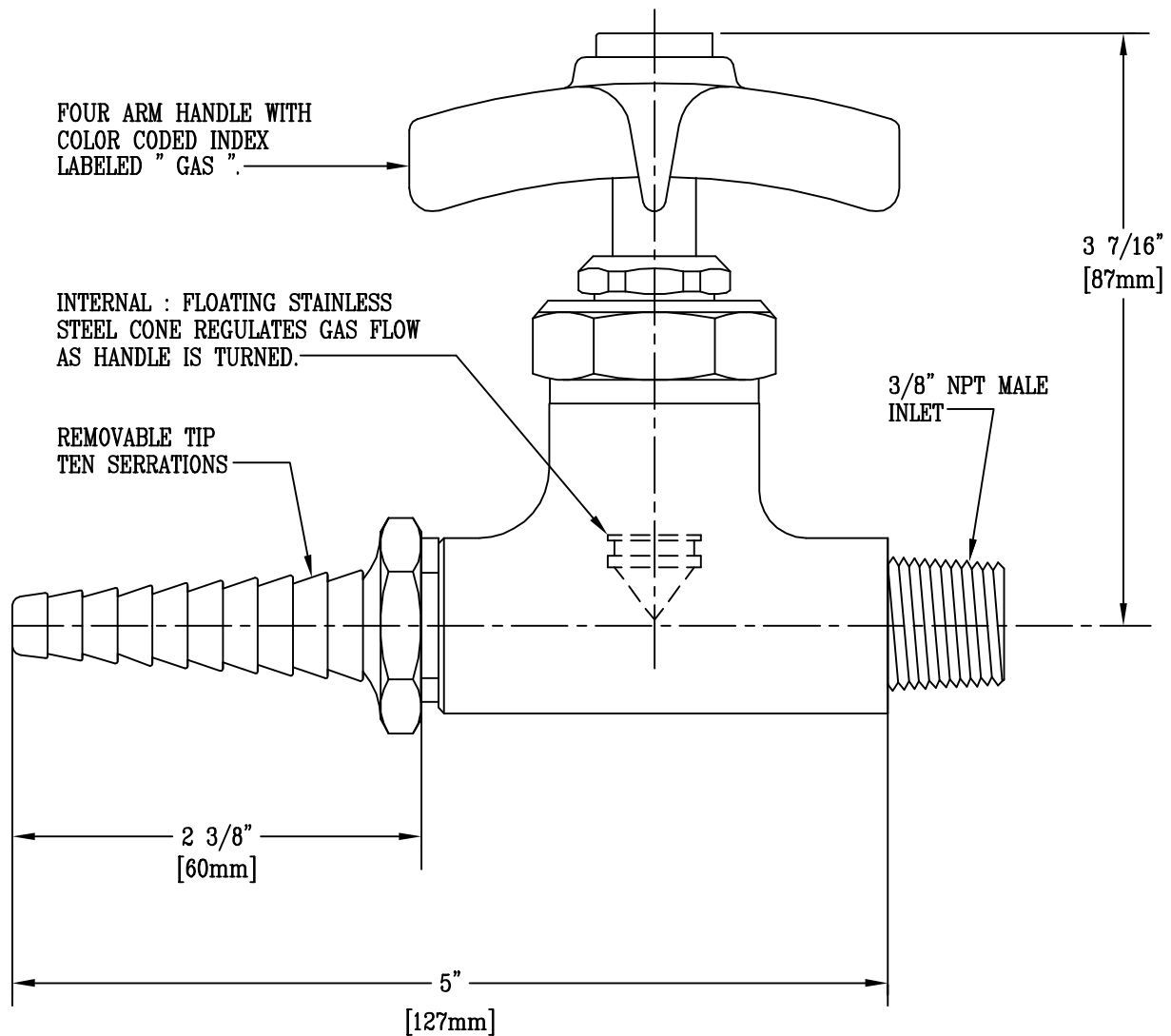
BL-4500-01

Item No.:

Job Name:

Architect/Engineer Approval:

Notes:



Product Description:

STRAIGHT STOP WITH COLOR CODED INDEX, & 3/8" NPT MALE INLET

Drawn:

WJS

Approved

CA

Checked

JKD

Scale:

1' = 1'

Date:

11/22/95