



T&S BRASS AND BRONZE WORKS, INC.
 2 SADDLEBACK COVE / P.O. BOX 1088 / TRAVELERS REST, SC 29690
 PHONE 800-476-4103 FAX 864-834-3518



Model No.

BL-4500-02

Item No.:

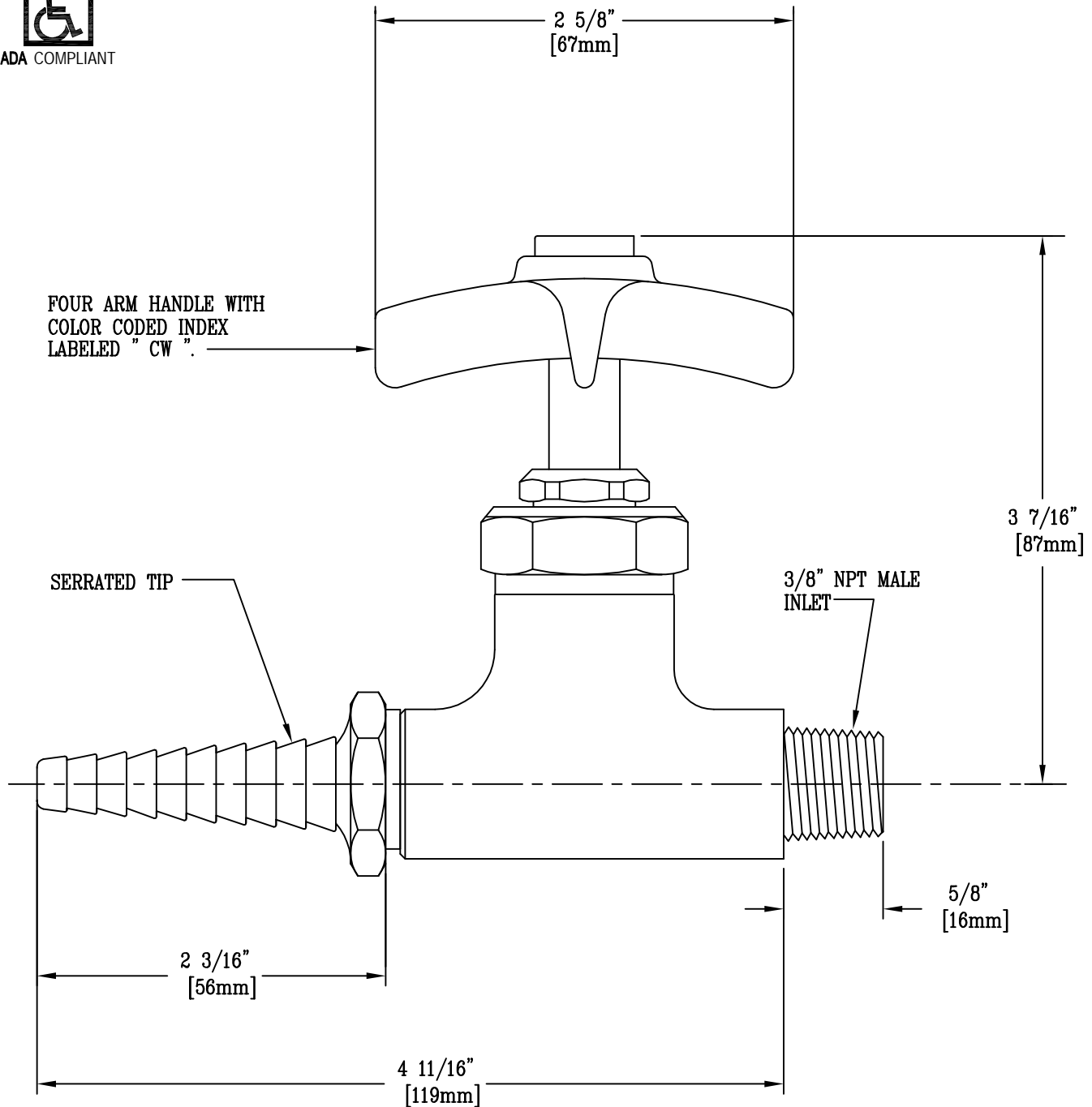
Job Name:

Architect/Engineer Approval:

Notes:



ADA COMPLIANT



Product Description:

STRAIGHT STOP WITH COLOR CODED INDEX, & 3/8" IPS MALE INLET

Drawn:

WJS

Approved

CA

Checked

JKD

Scale:

1' = 1'

Date:

1/21/95