



T&S BRASS AND BRONZE WORKS, INC.

2 SADDLEBACK COVE / P.O. BOX 1088 / TRAVELERS REST, SC 29690

PHONE 800-476-4103

FAX 803- 834-3518



REG.#A2601
ISO #9002

Model No.

BL-4507-02

Item No.:

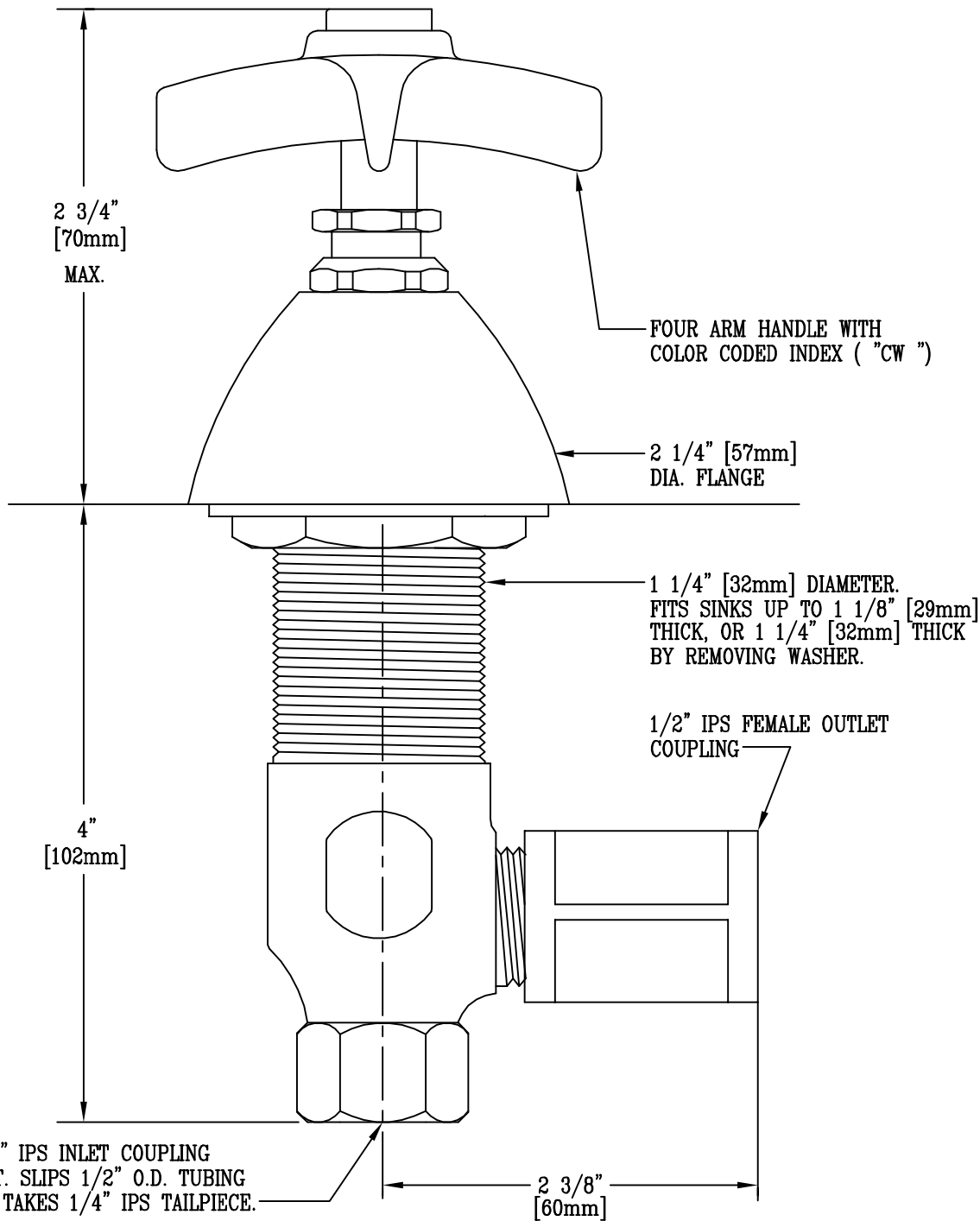
Job Name:

Architect/Engineer Approval:

Notes:



ADA COMPLIANT



Product Description:

CONCEALED DECK VALVE WITH
1/2" IPS SIDE OUTLET & FOUR ARM HANDLE

Drawn:

WJS

Checked

JKD

Scale:

1' = 1'

Approved

CA

Date:

11/22/95