



T&S BRASS AND BRONZE WORKS, INC.

2 Saddleback Cove / P.O. Box 1088
Travelers Rest, SC 29690



REG. #A2601
ISO #9001

Model No.
BL-4750-07

Item No.

Travelers Rest, SC: 800-476-4103 Simi Valley, CA: 800-423-0150 Fax: 864-834-3518 www.tsbrass.com

This Space for Architect/Engineer Approval

Job Name _____ Date _____

Model Specified _____ Quantity _____

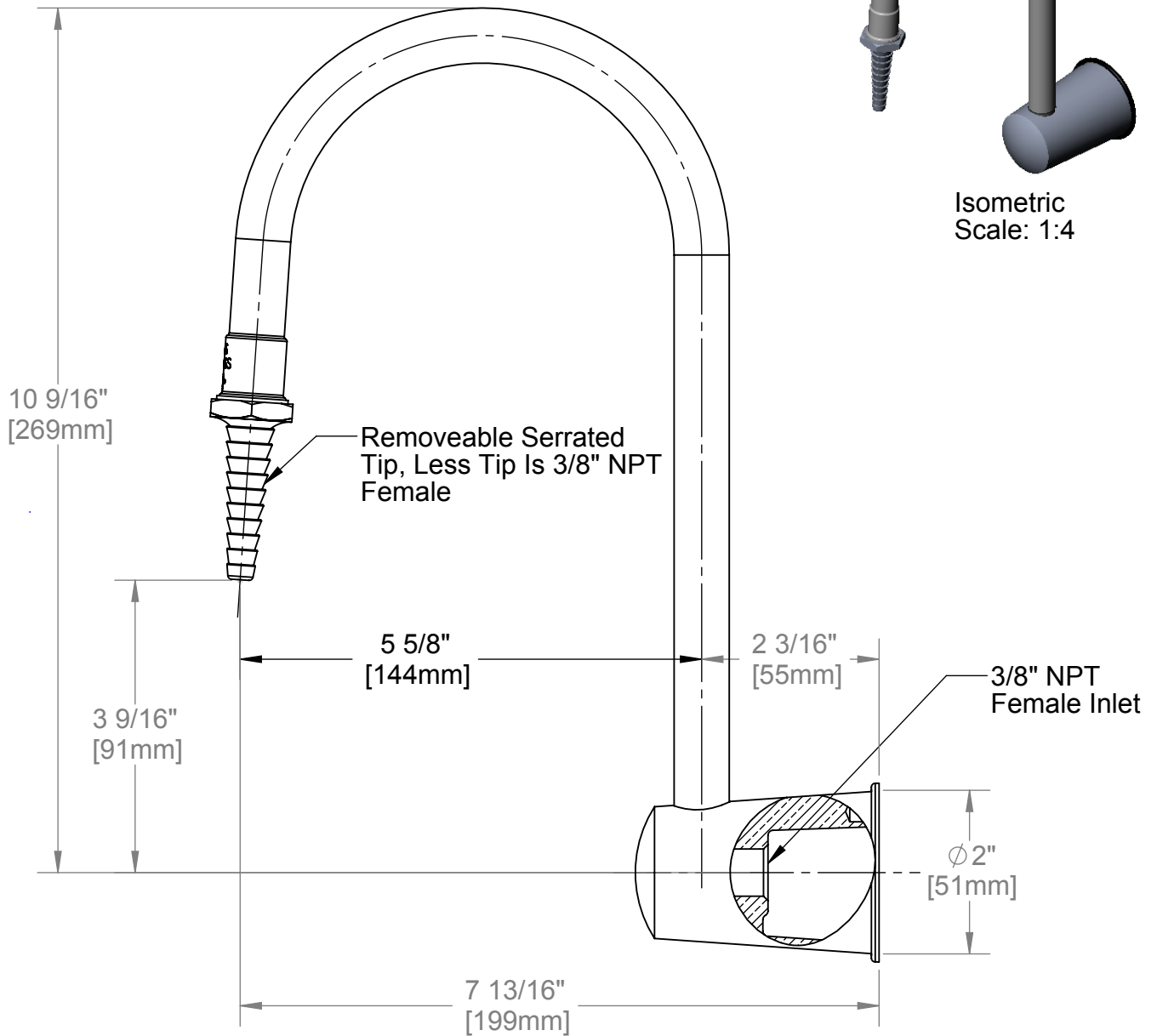
Customer/Wholesaler _____

Contractor _____

Architect/Engineer _____



Isometric
Scale: 1:4



Product Specifications:

**Laboratory Panel Turret w/ Rigid
Gooseneck & 3/8" NPT Female Inlet**

Drawn ARH	Checked DHL	Approved JHB
Scale: 1:2	Date: 1/12/2007	



T&S BRASS AND BRONZE WORKS, INC.

2 Saddleback Cove / P.O. Box 1088
Travelers Rest, SC 29690



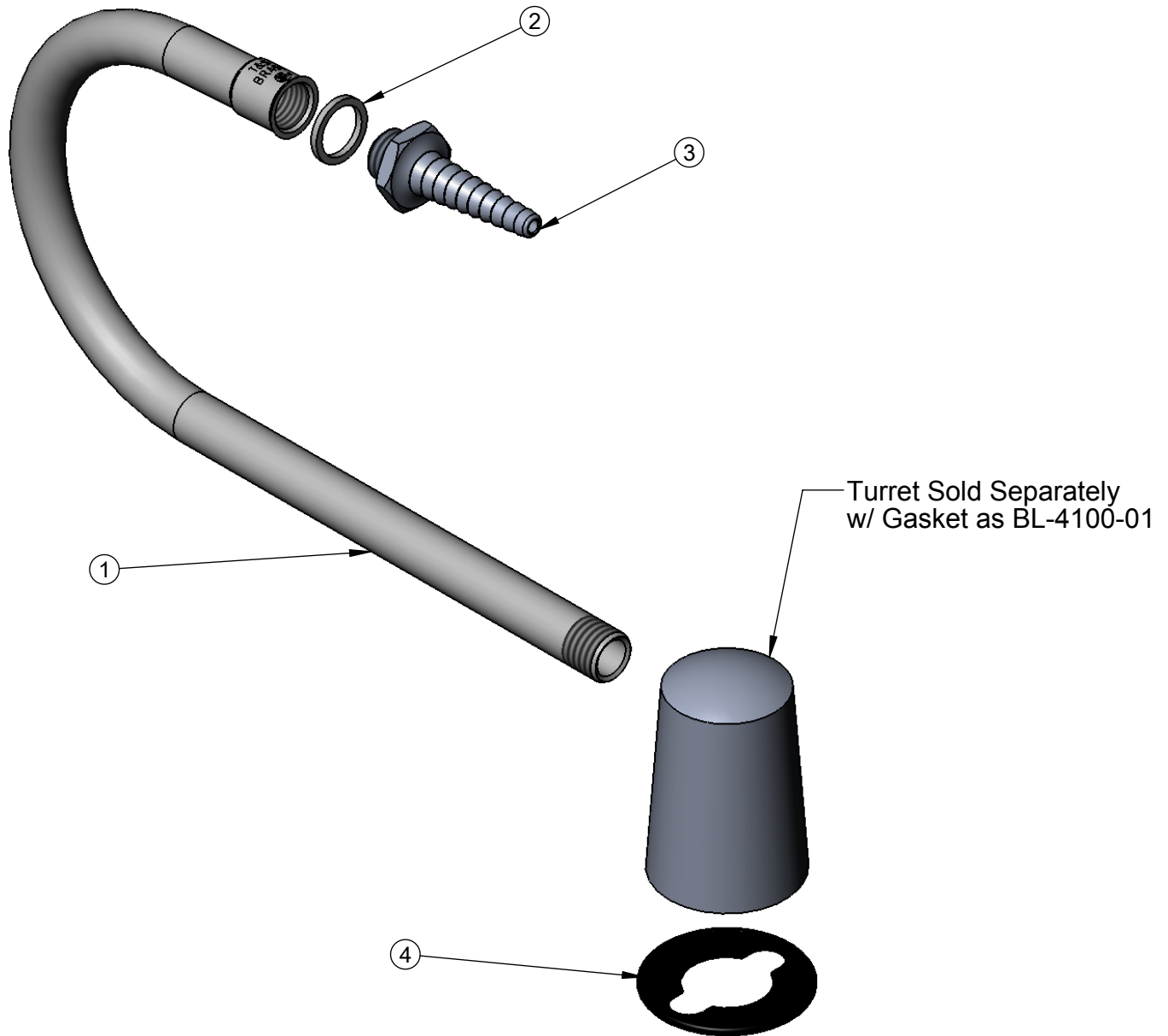
REG. #A2601
ISO #9001

Model No.
BL-4750-07

Item No.

Travelers Rest, SC: 800-476-4103 Simi Valley, CA: 800-423-0150 Fax: 864-834-3518 www.tsbrass.com

ITEM NO.	SALES NO.	DESCRIPTION
1	000398-20	Gooseneck, Pipe, Brass 3/8" IPS
2	009641-45	Washer, 7/8" OD X 11/16ID X 3/32THK
3	001658-40	Hose End, Serrated, Brass, PLTD
4	001158-45	Gasket, Polypropylene, Black



Product Specifications:

Laboratory Panel Turret w/ Rigid
Gooseneck & 3/8" NPT Female Inlet

Drawn

ARH

Checked

DHL

Approved

JHB

Scale:

1:2

Date:

1/12/2007