



T&S BRASS AND BRONZE WORKS, INC.
 2 SADDLEBACK COVE / P.O. BOX 1088 / TRAVELERS REST, SC 29690
 PHONE 800-476-4103 FAX 803- 834-3518

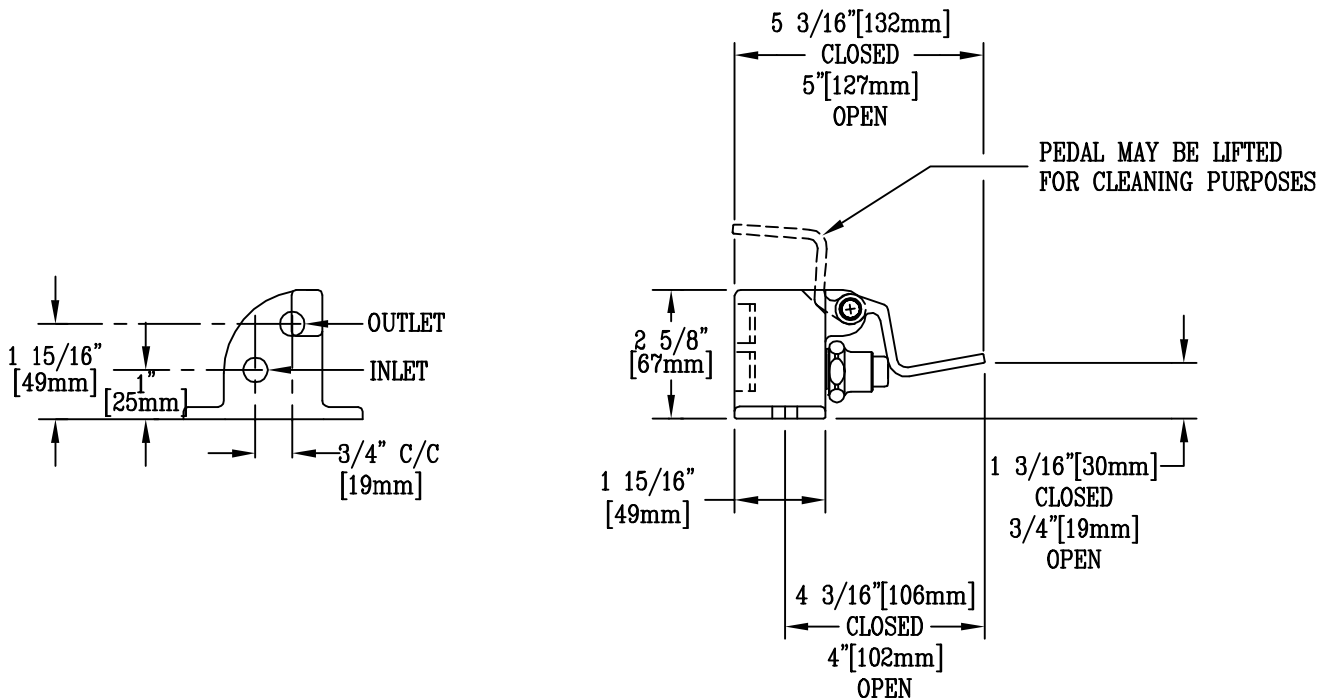
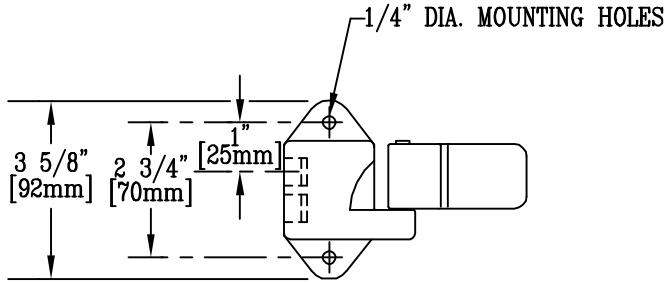


Model No.
 BL-5000-02
 Item No.:

Job Name:

Architect/Engineer Approval:

Notes:



1. FURNISHED WITH (2) WOOD MOUNTING SCREWS
2. INLET & OUTLET ARE 1/2" NPT FEMALE

Product Description:

SINGLE PEDAL VALVE WITH
 1/2" NPT INLET & OUTLET

Drawn:

TME

Approved

MVW

Checked

JKD

Scale:

1:2

Date:

2/25/00