



T&S BRASS AND BRONZE WORKS, INC.
 2 SADDLEBACK COVE / P.O. BOX 1088 / TRAVELERS REST, SC 29690
 PHONE 800-476-4103 FAX 803-834-3518



Model No.

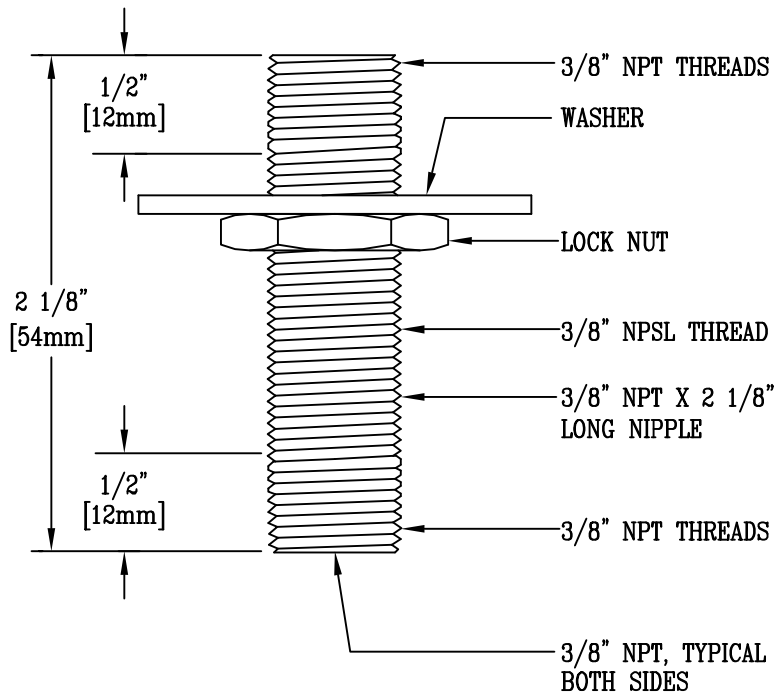
BL-5500-07

Item No.:

Job Name:

Architect/Engineer Approval:

Notes:



Product Description:

PANEL SUPPLY NIPPLE, LOCK NUT,
 AND WASHER COMBINATION UNIT

Drawn:

WJS

Checked

ARY

Scale:

1' = 1'

Approved

CA

Date:

10/26/95