



T&S BRASS AND BRONZE WORKS, INC.
 2 SADDLEBACK COVE / P.O. BOX 1088 / TRAVELERS REST, SC 29690
 PHONE 800-476-4103 FAX 864-834-3518

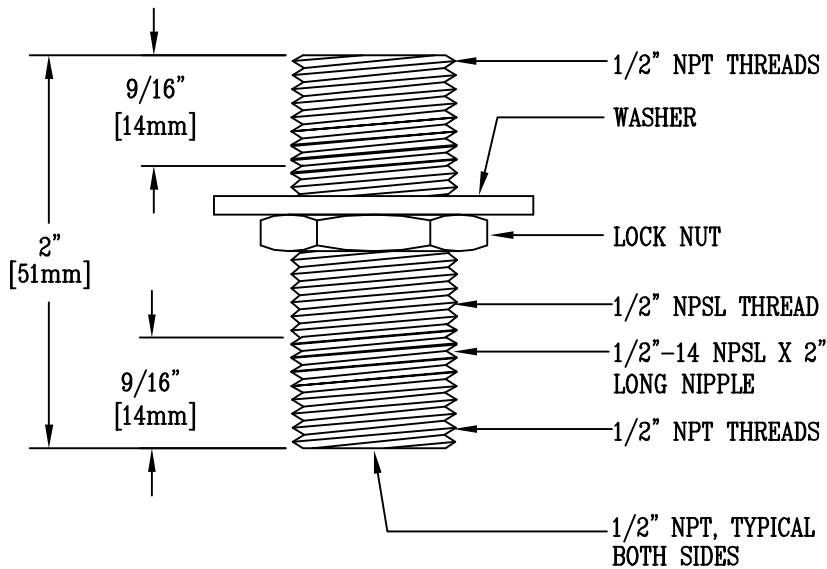


Model No.
 BL-5500-09
 Item No.:

Job Name:

Architect/Engineer Approval:

Notes:



Product Description:
 PANEL SUPPLY NIPPLE, LOCKNUT, & WASHER
 COMBINATION UNIT FOR USE
 ON PANEL MOUNTED FAUCETS.

Drawn:
 WJS
 Approved
 CA

Checked
 ARY

Scale:
 1' = 1'
 Date:
 10/26/95