



T&S BRASS AND BRONZE WORKS, INC.
 2 SADDLEBACK COVE / P.O. BOX 1088 / TRAVELERS REST, SC 29690
 PHONE 800-476-4103 FAX 864-834-3518



Model No.

BL-5500-12

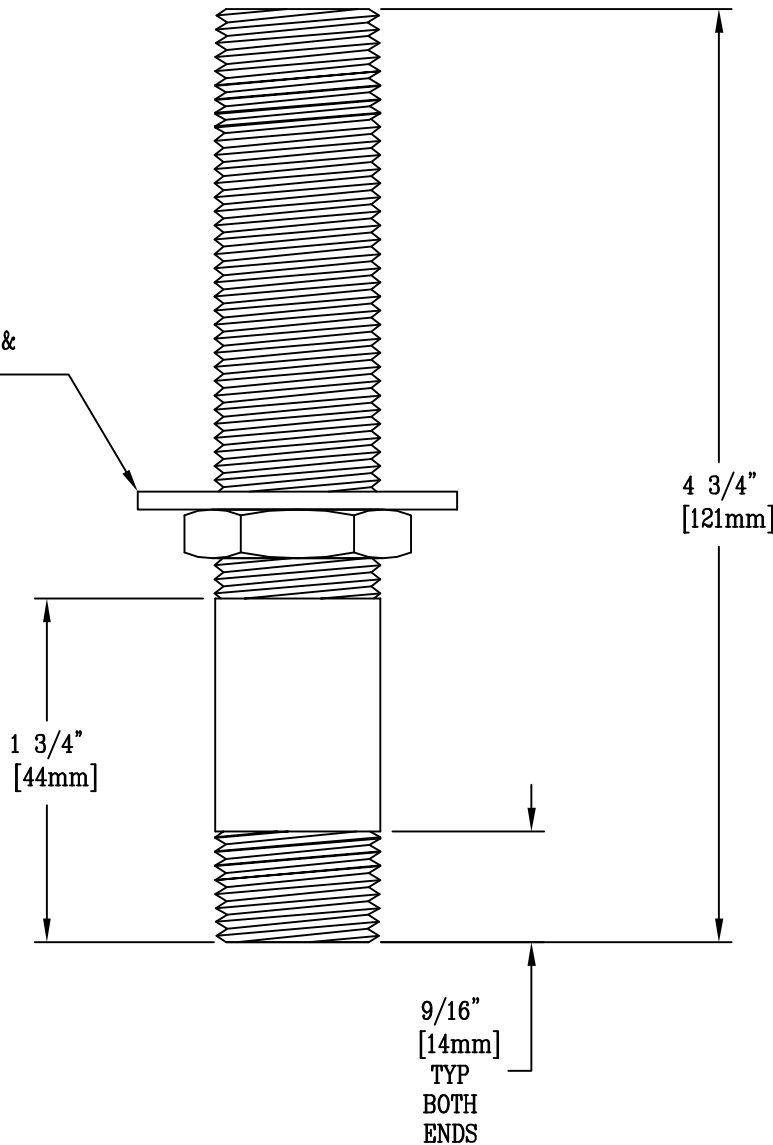
Item No.:

Job Name:

Architect/Engineer Approval:

Notes:

BRASS LOCKNUT &
 LOCKWASHER



Product Description:

1/2" NPT x 4 3/4" LONG SUPPLY NIPPLE UNIT

Drawn:

WJS

Checked

ARY

Scale:

1 : 1

Approved

CA

Date:

10/26/95