



T&S BRASS AND BRONZE WORKS, INC.
 2 SADDLEBACK COVE / P.O. BOX 1088 / TRAVELERS REST, SC 29690
 PHONE 800-476-4103 FAX 864- 834-3518



Model No.

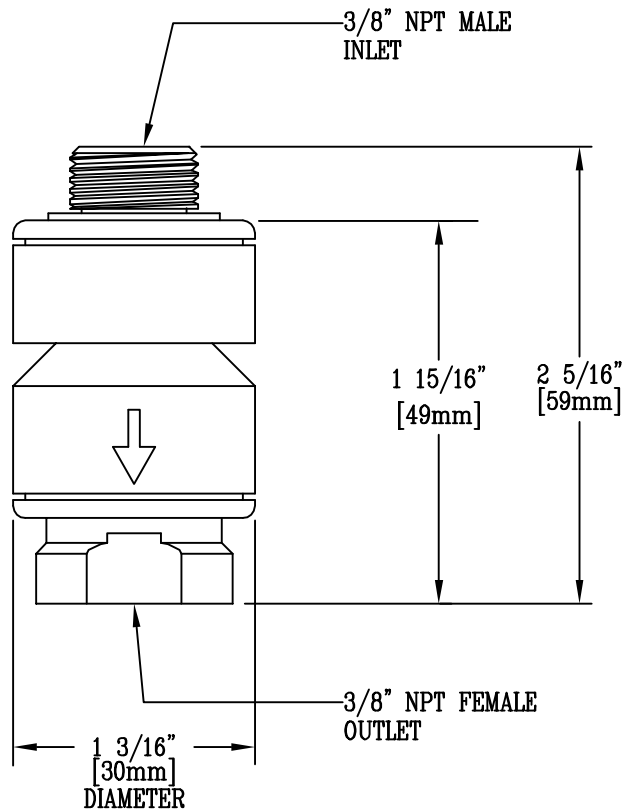
BL-5550-09

Item No.:

Job Name:

Architect/Engineer Approval:

Notes:



NOTE : CONFORMS WITH REQUIREMENTS OF ASSE 1035.

Product Description:

3/8" IPS MALE X 3/8" IPS FEMALE
 ANTI-SIPHON VACUUM BREAKER
 WITH DOUBLE CHECK VALVE

Drawn:

WJS

Checked

ARD

Scale:

1' = 1'

Approved

CA

Date:

10/25/95