



T&S BRASS AND BRONZE WORKS, INC.
 2 SADDLEBACK COVE / P.O. BOX 1088 / TRAVELERS REST, SC 29690
 PHONE 800-476-4103 FAX 864-834-3518

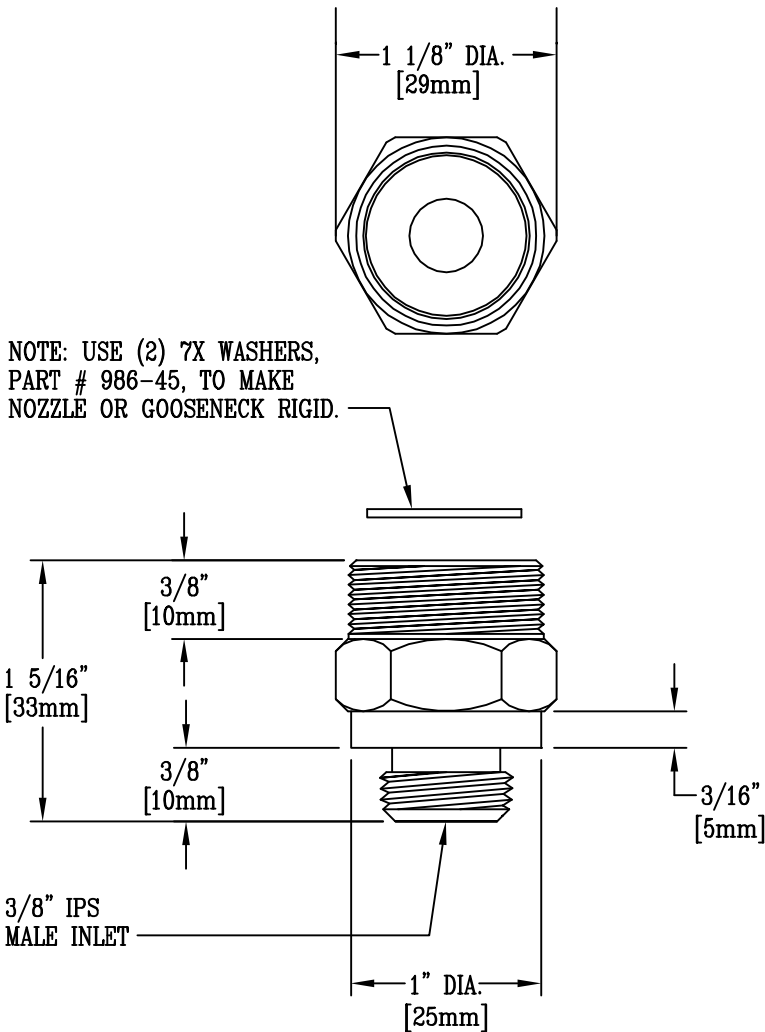


Model No.
 BL-5550-23
 Item No.:

Job Name:

Architect/Engineer Approval:

Notes:



THIS ADAPTER PIECE FITS INTO MANY T&S FAUCETS WITH TEFLON TAPE OR CEMENT TO CONVERT A RIGID OUTLET TO A SWIVEL OUTLET. (ALSO FITS T&S SWING NOZZLES AND GOOSENECKS).

Product Description:

RIGID TO SWIVEL ADAPTER WITH 3/8" NPSM MALE INLET

Drawn:

WJS

Checked

ARD

Scale:

1' = 1'

Approved

CA

Date:

10/25/95