



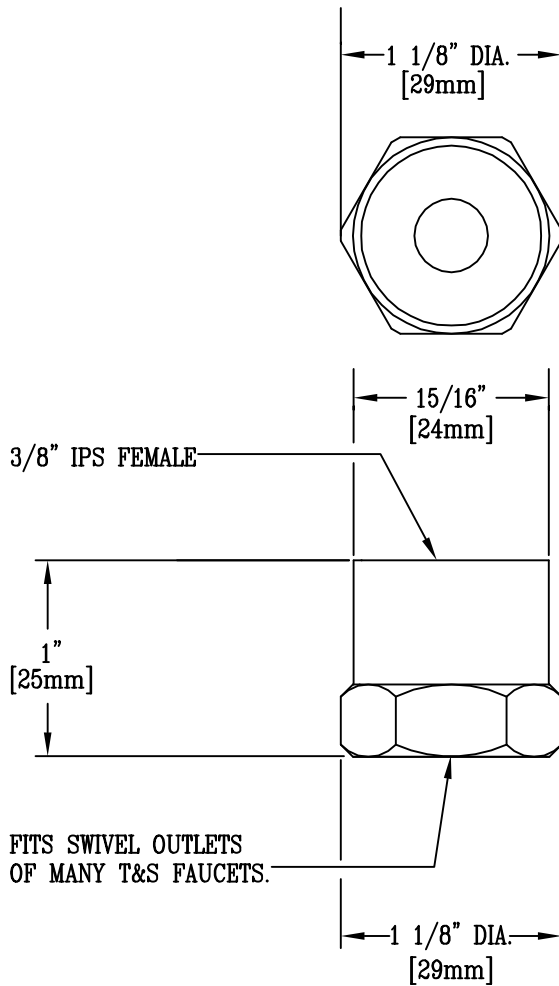
T&S BRASS AND BRONZE WORKS, INC.
 2 SADDLEBACK COVE / P.O. BOX 1088 / TRAVELERS REST, SC 29690
 PHONE 800-476-4103 FAX 864- 834-3518



Model No.
 BL-5550-24
 Item No.:

Job Name: _____ Architect/Engineer Approval: _____

Notes:



THIS ADAPTER PIECE FITS INTO
 MANY T&S FAUCETS WITH CEMENT
 TO CONVERT A SWIVEL OUTLET
 TO A RIGID OUTLET.

Product Description: SWIVEL TO RIGID ADAPTER WITH 3/8" IPS FEMALE INLET & WASHER	Drawn: WJS	Checked ARD	Scale: 1' = 1'
	Approved CA		Date: 10/25/95