



T&S BRASS AND BRONZE WORKS, INC.
 2 SADDLEBACK COVE / P.O. BOX 1088 / TRAVELERS REST, SC 29690
 PHONE 800-476-4103 - FAX 864- 834-3518



Model No.
 BL-5704-08WH4
**RELIABILITY
 BUILT IN**

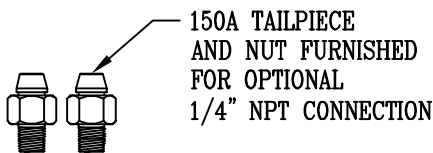
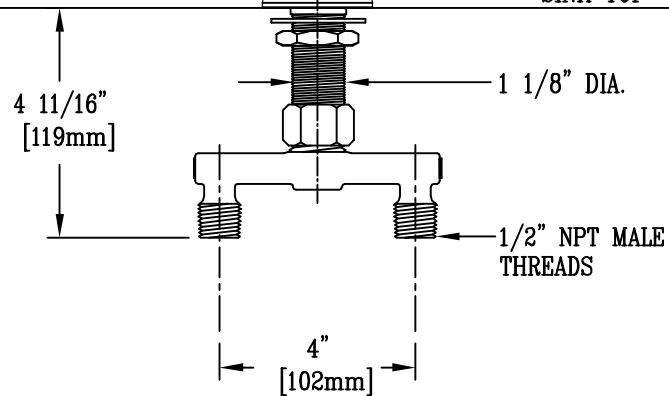
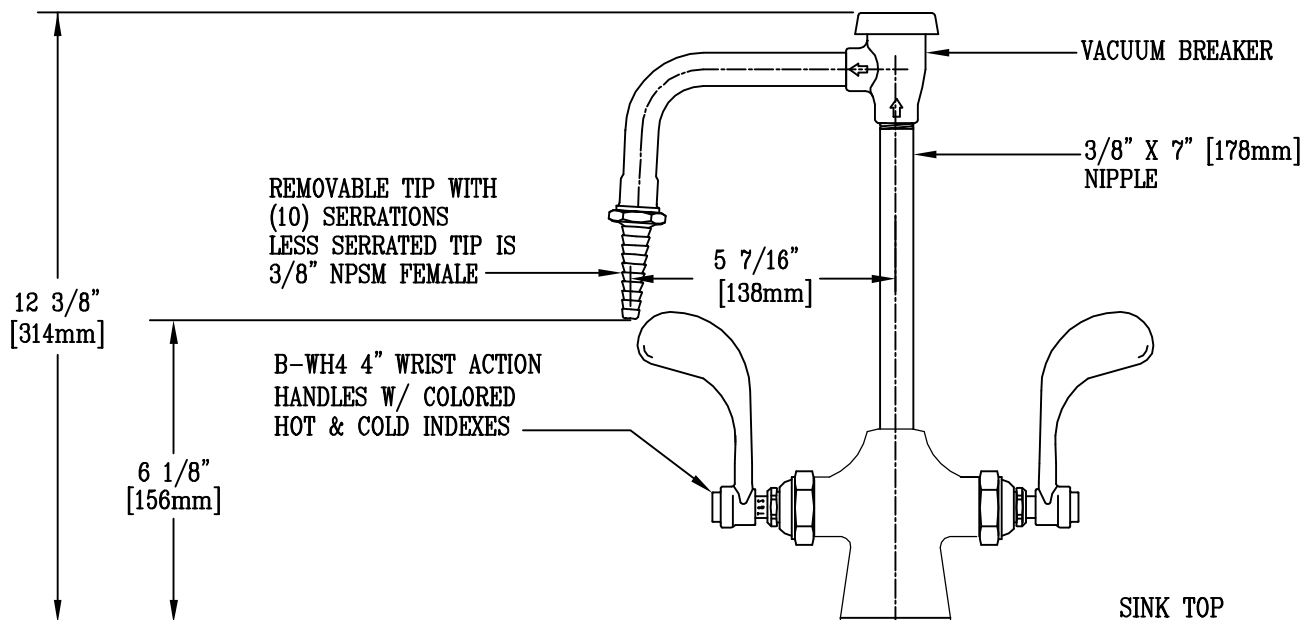
Job Name:

Architect/Engineer Approval:

Notes:



ADA COMPLIANT



Product Description:
 Single Hole Deck Mount Laboratory Mixing Fct. w/
 Under-Counter Spreader, B-WH4 Wrist Action Handles,
 Rigid Vacuum Breaker Nozzle w/ Serrated Tip

Drawn: WJS	Checked GEF	Scale: 1 : 4
Approved JHB	Date: 8/9/06	