



T&S BRASS AND BRONZE WORKS, INC.
 2 SADDLEBACK COVE / P.O. BOX 1088 / TRAVELERS REST, SC 29690
 PHONE 800-476-4103 - FAX 864- 834-3518



Model No.

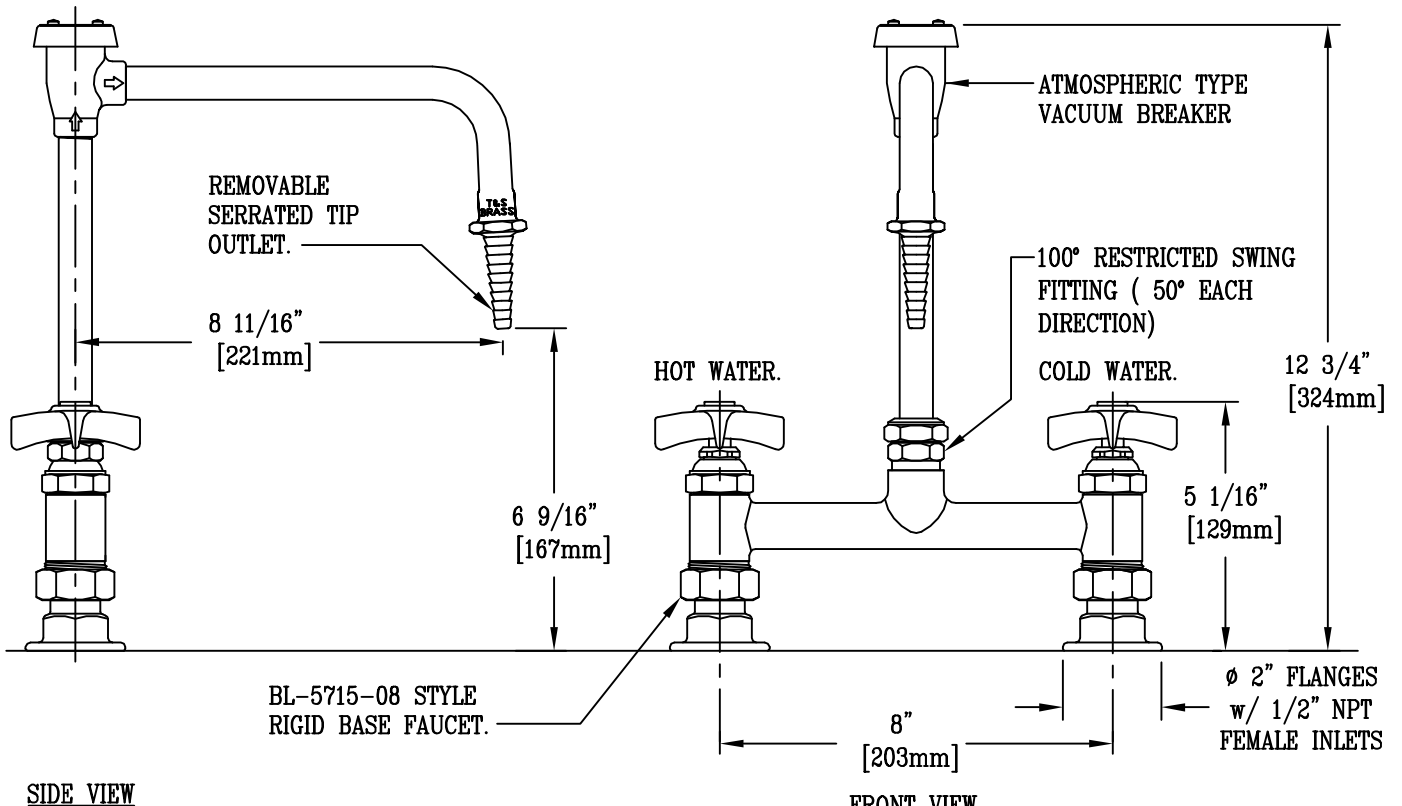
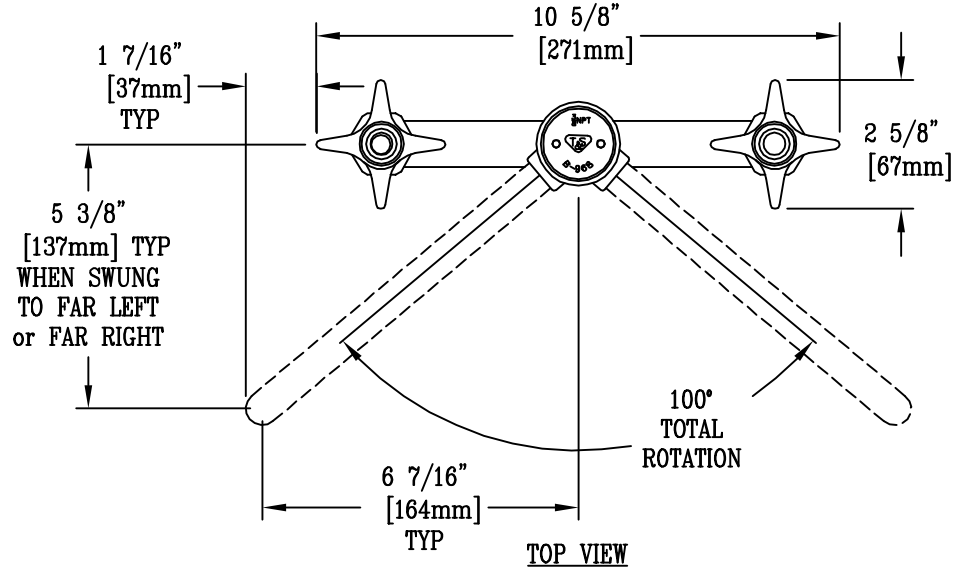
BL-5715-10

**RELIABILITY
 BUILT IN**

Job Name:

Architect/Engineer Approval:

Notes:



Product Description:

BL-5715-08 w/ 100° ROTATION RESTRICTED VACUUM BREAKER SWING NOZZLE, SERRATED TIP OUTLET, 1/2" NPT FEMALE INLETS, 4-ARM HANDLES

Drawn:

WJS

Approved

MVW

Checked

JKD

Scale:

1 : 4

Date:

8/7/03