



T&S BRASS AND BRONZE WORKS, INC.
 2 SADDLEBACK COVE / P.O. BOX 1088 / TRAVELERS REST, SC 29690
 PHONE 800-476-4103 FAX 864- 834-3518



Model No.

BL-5725-01

Item No.:

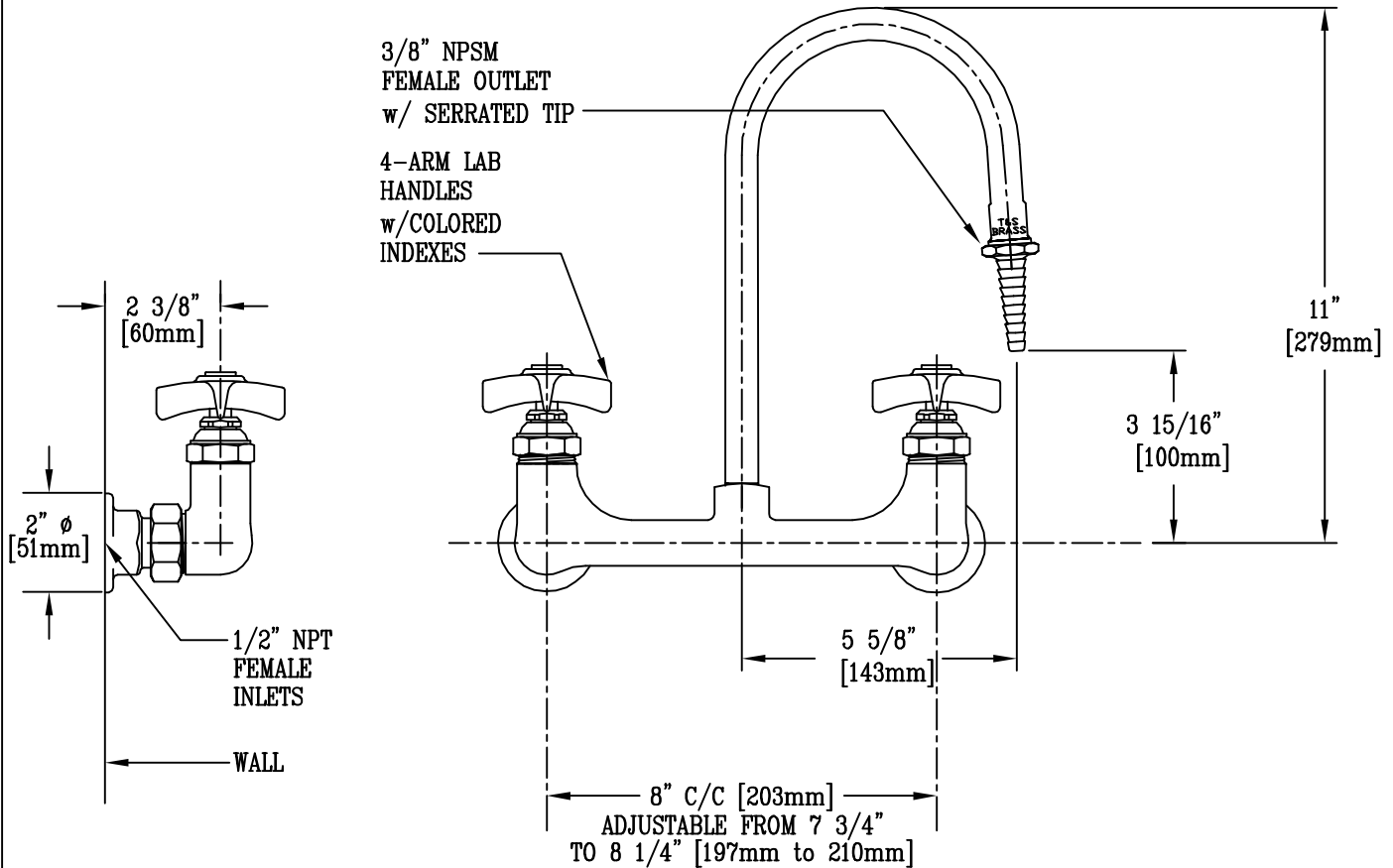
Job Name:

Architect/Engineer Approval:

Notes:



ADA COMPLIANT



NOTE 1: 3/4" FEMALE INLETS ALSO AVAILABLE.

NOTE 2: ALSO AVAILABLE W/ BL-5500-3 6" WRIST ACTION HANDLES, OR BL-5500-1 4" WRIST ACTION HANDLES.

Product Description:

WALL MOUNTED MIXING FAUCET WITH RIGID GOOSENECK, SERRATED TIP OUTLET, 4-ARM HANDLES, & 1/2" NPT FEMALE INLETS.

Drawn:

WJS

Checked

MVW

Scale:

1 : 4

Approved

MVW

Date:

6-16-99