



T&S BRASS AND BRONZE WORKS, INC.
 2 SADDLEBACK COVE / P.O. BOX 1088 / TRAVELERS REST, SC 29690
 PHONE 800-476-4103 - FAX 864- 834-3518



Model No.

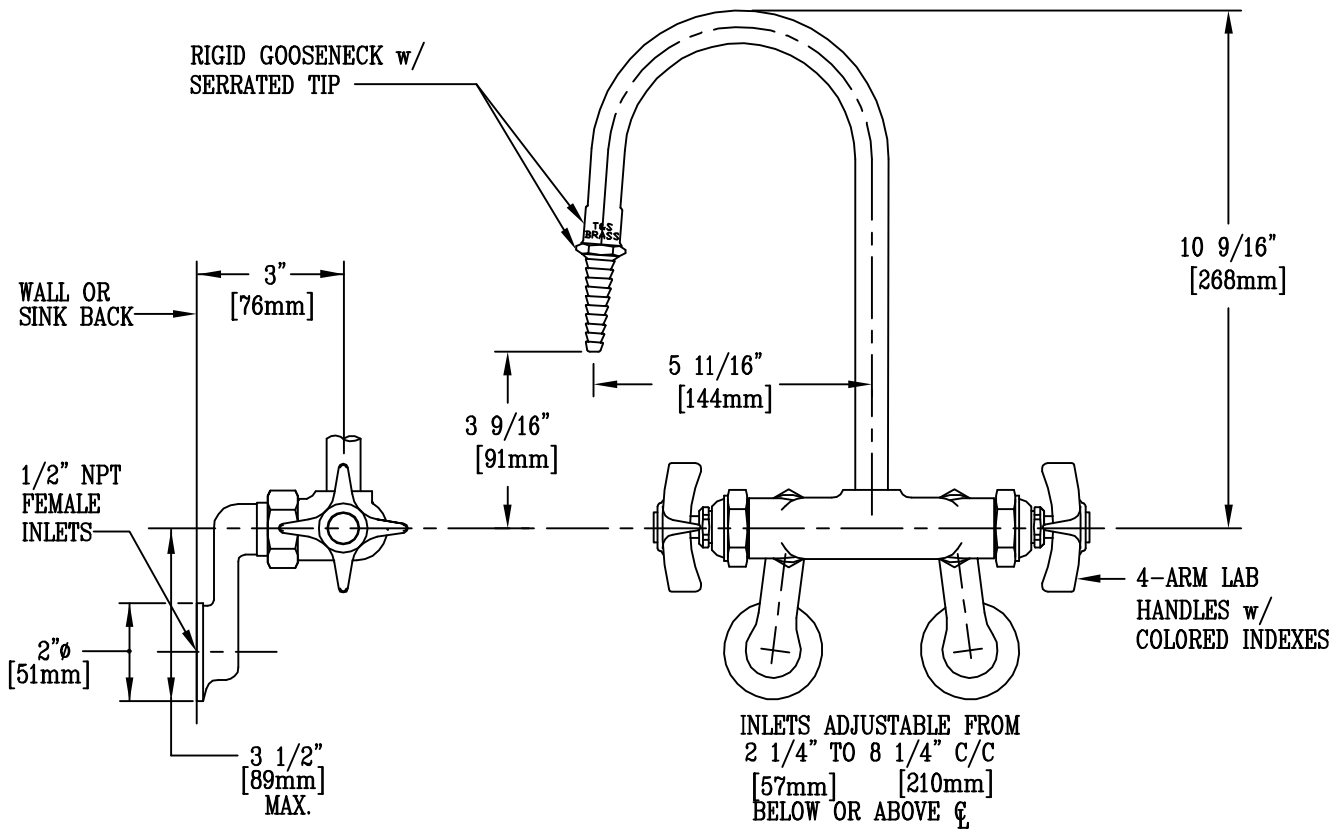
BL-5740-01

**RELIABILITY
 BUILT IN**

Job Name:

Architect/Engineer Approval:

Notes:



Product Description: WALL MOUNT MIXING FAUCET WITH ADJUSTABLE INLET ARMS, 120X RIGID GOOSENECK WITH SERRATED TIP, 4-ARM LAB HANDLES, 1/2" NPT FEMALE INLETS	Drawn:	Checked:	Scale:
	WJS	JKD	1 : 4
	Approved:		Date:
	MVW		1/14/04