



T&S BRASS AND BRONZE WORKS, INC.
 2 SADDLEBACK COVE / P.O. BOX 1088 / TRAVELERS REST, SC 29690
 PHONE 800-476-4103 - FAX 864- 834-3518



Model No.

BL-5755-01

**RELIABILITY
 BUILT IN**

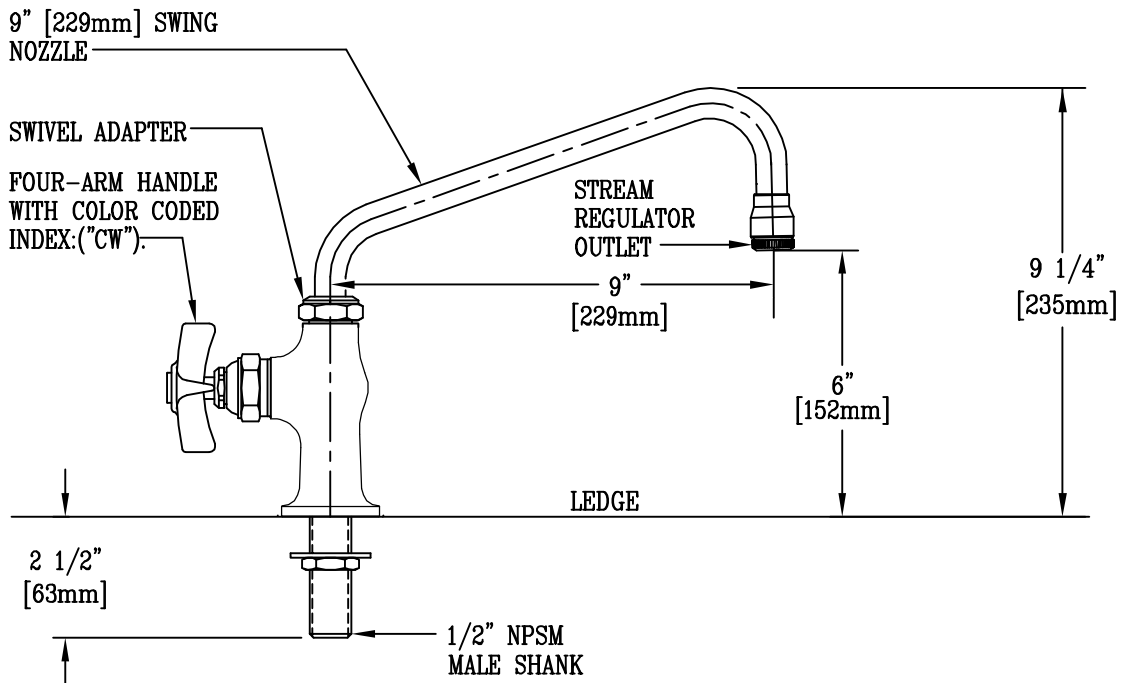
Job Name:

Architect/Engineer Approval:

Notes:



ADA COMPLIANT



150A TAILPIECE AND NUT FURNISHED FOR OPTIONAL 1/4" NPT CONNECTION

Product Description:
 SINGLE TEMPERATURE LAB FCT. w/ 9" SWING NOZZLE,
 STREAM REGULATOR OUTLET, 4-ARM LAB HANDLE,
 AND 1/2" NPSM MALE SHANK

Drawn:

LEL

Checked

JKD

Scale:

1 : 4

Approved

MVW

Date:

9/11/02