



T&S BRASS AND BRONZE WORKS, INC.

2 SADDLEBACK COVE / P.O. BOX 1088 / TRAVELERS REST, SC 29690

PHONE 800-476-4103

FAX 864-834-3518



REG.#A2601
ISO #9002

Model No.

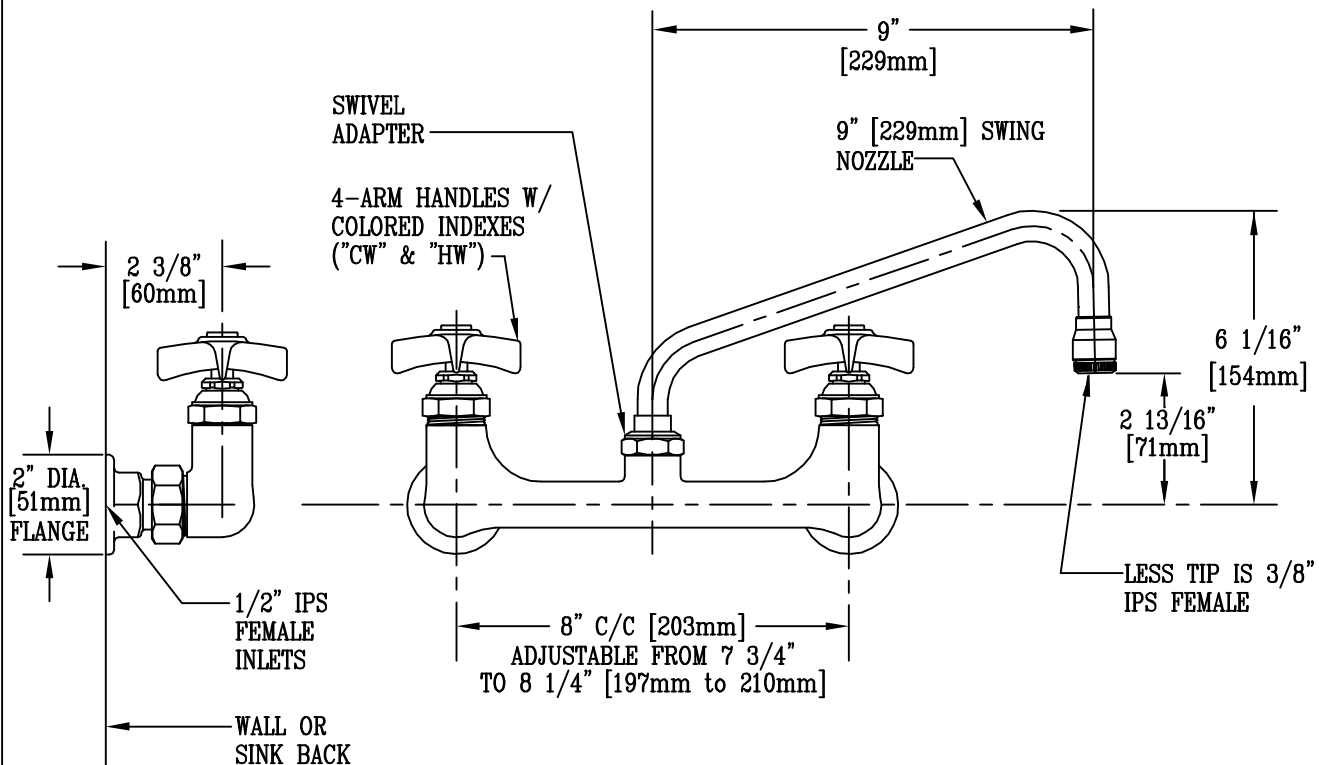
BL-5775-01

Item No.:

Job Name:

Architect/Engineer Approval:

Notes:



NOTE 1: 3/4" FEMALE INLETS ALSO AVAILABLE.

NOTE 2: ALSO AVAILABLE W/ BL-5500-3 6" WRIST ACTION HANDLES, OR BL-5500-1 4" WRIST ACTION HANDLES.

NOTE 3: ALSO AVAILABLE WITH 6" & 12" SWING NOZZLES WHEN SPECIFIED.

NOTE 4: ALSO AVAILABLE WITH MODEL NO. BL-5561-04 STYLE SOAP DISH NOZZLES.

Product Description:

WALL MOUNTED MIXING FAUCET WITH 9" SWING NOZZLE, PLAIN TIP OUTLET, 4-ARM HANDLES, & ADJUSTABLE 1/2" IPS FEMALE INLETS.

Drawn:

WJS

Approved

CA

Checked

ARD

Scale:

3" = 1'

Date:

9/20/95