



T&S BRASS AND BRONZE WORKS, INC.
 2 SADDLEBACK COVE / P.O. BOX 1088 / TRAVELERS REST, SC 29690
 PHONE 800-476-4103 FAX 803- 834-3518

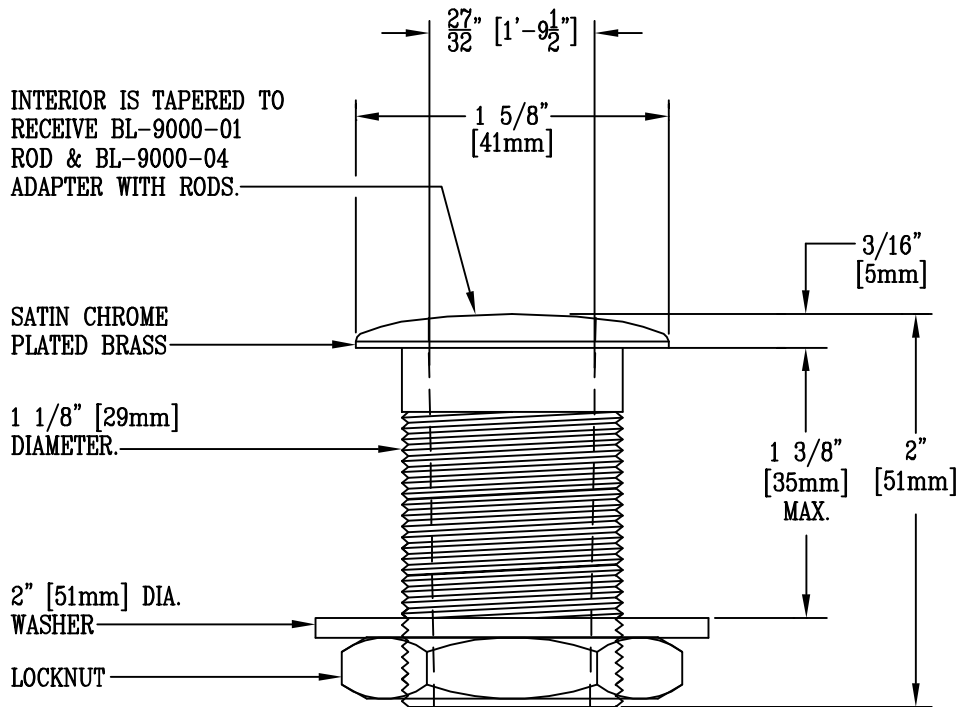


Model No.
 BL-9005-01
 Item No.:

Job Name:

Architect/Engineer Approval:

Notes:



Product Description:
 FLUSH PLATE ASSEMBLY WITH CROWNED TOP, LOCK NUT, & WASHER FOR USE WITH BL-9000 SERIES RODS

Drawn:

WJS

Checked

MWR

Scale:

1' = 1'

Approved

CA

Date:

10/11/95