



T&S BRASS AND BRONZE WORKS, INC.
 2 SADDLEBACK COVE / P.O. BOX 1088 / TRAVELERS REST, SC 29690
 PHONE 800-476-4103 FAX 864-834-3518



Model No.

MV-1907-12C

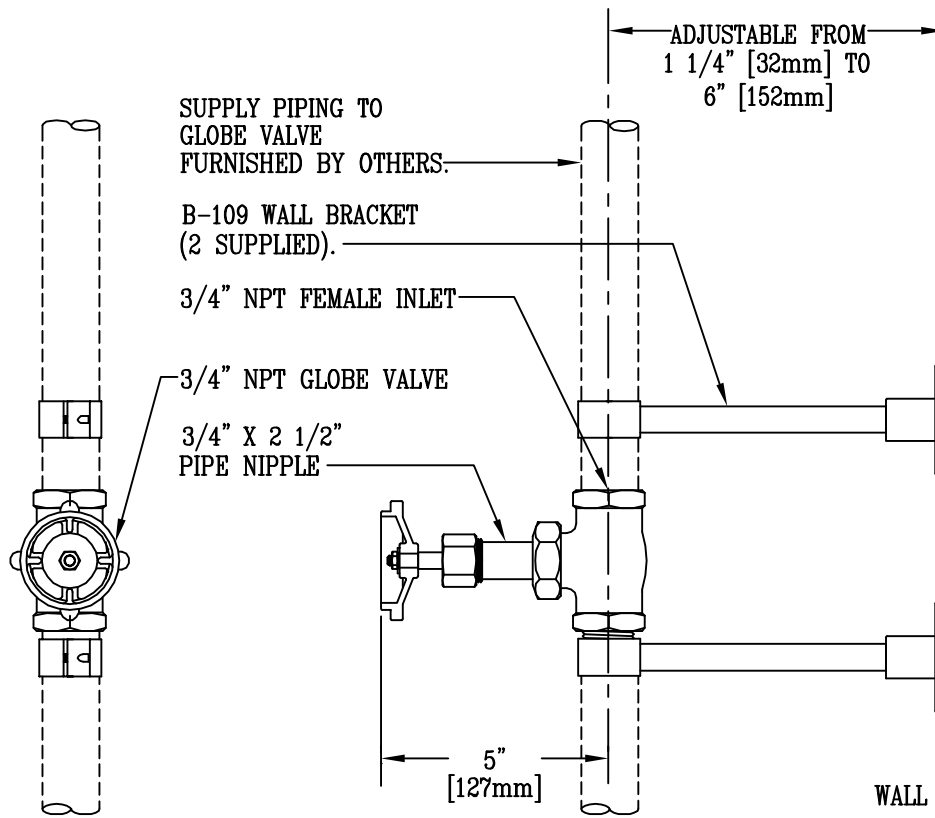
Item No.:

REG.#A2601
ISO #9002

Job Name:

Architect/Engineer Approval:

Notes:



Product Description:

CHROME PLATED SINGLE SERVICE GLOBE VALVE WITH 3/4" NPT INLET, & (2) PIPE CLAMP ASSEMBLIES

Drawn:

WJS

Approved

CA

Checked

JKD

Scale:

3" = 1'

Date:

11/10/95